

**4232LT**

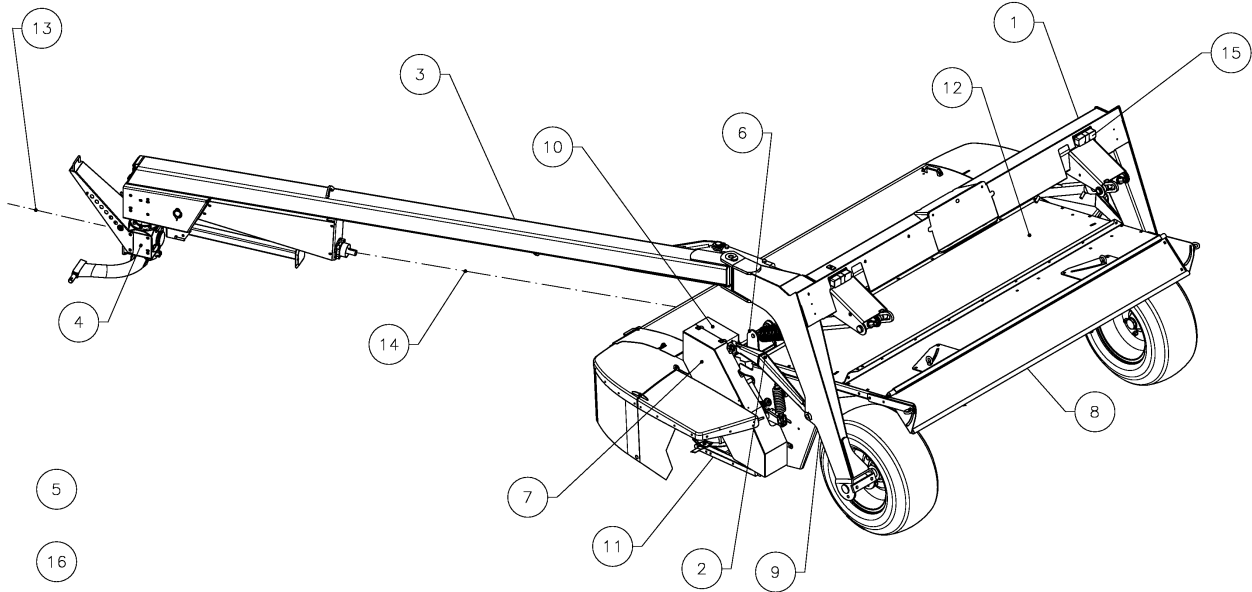
## **Spare Parts Manual**

Article number:	90000152 Index 117-11
Language:	EN
Production year (from):	2007
Serial No. (from)	402.185 < Mach. ID <=

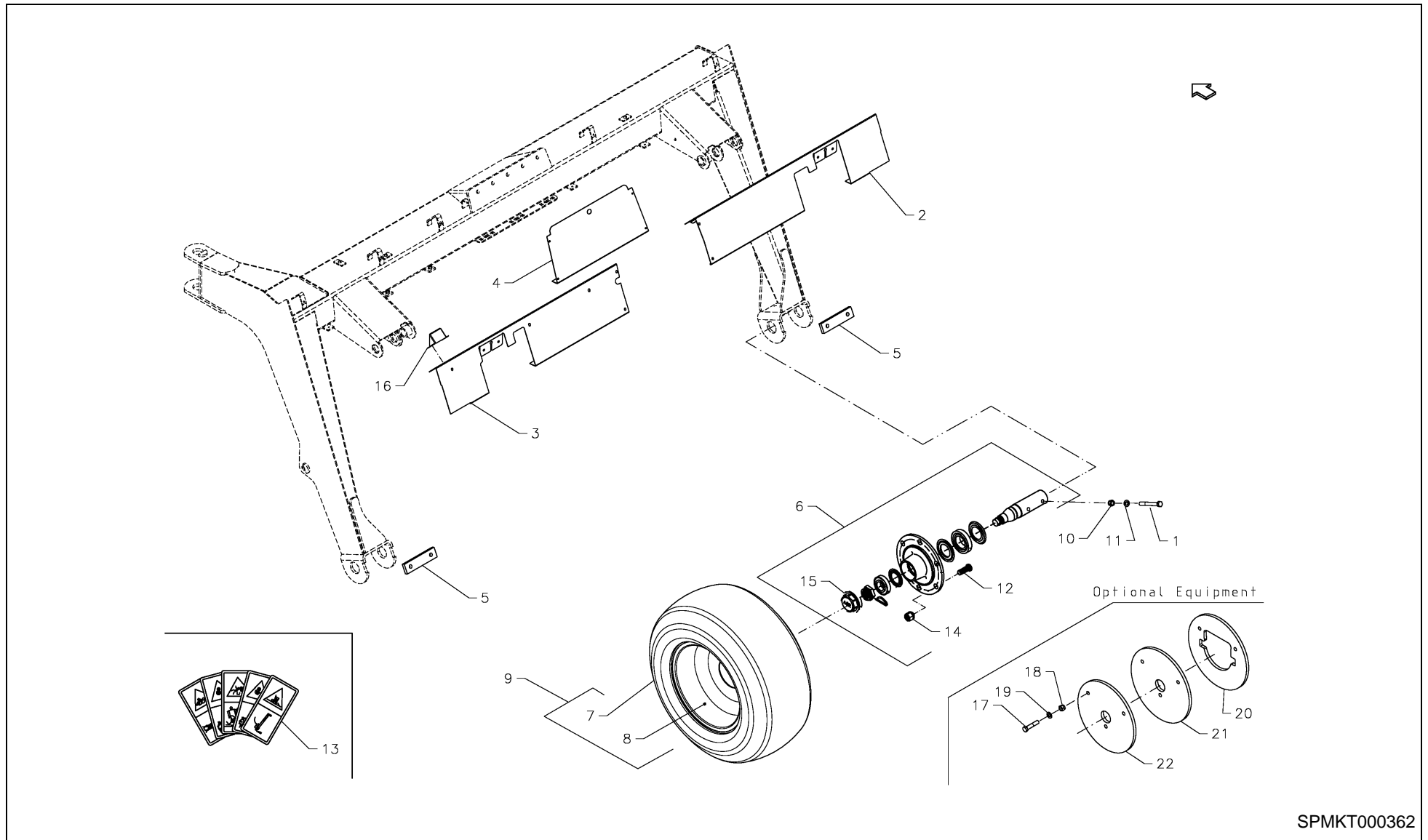


**4232LT / Table of Contents**

PosNo.	Assembly group	Page
1	PRIMARY FRAME, WHEEL	1
2	CONNECTING ARM	2
2	SPRING, HYDRAULIC CYLINDER	3
3	DRAWBAR	4
4	SWIVEL GEAR, COMPLETE	5
5	HYDRAULIC	6
5	HYDRAULIC, DRAWBAR	7
6	SECONDARY FRAME	8
7	TRANSMISSION	9
8	CONDITIONER PLATE	10
9	ROTOR	11
10	MAIN GEAR BOX	12
11	CUTTERBAR	13
11	TRANSMISSION, CUTTERBAR	14
11	TRANSMISSION, CUTTERBAR + PROFIT	15
11	CUTTERBAR	16
12	GUARD	17
12	GUARD	18
12	REAR END & DEFLECTOR PLATE	19
13	PTO SHAFT	20
14	PTO SHAFT	21
14	FRICTION CLUTCH	22
15	LIGHTING KIT CPL.	23
16	OPTIONAL EQUIPMENT	24
16	OPTIONAL EQUIPMENT	25
16	OPTIONAL EQUIPMENT	26
16	OPTIONAL EQUIPMENT	27



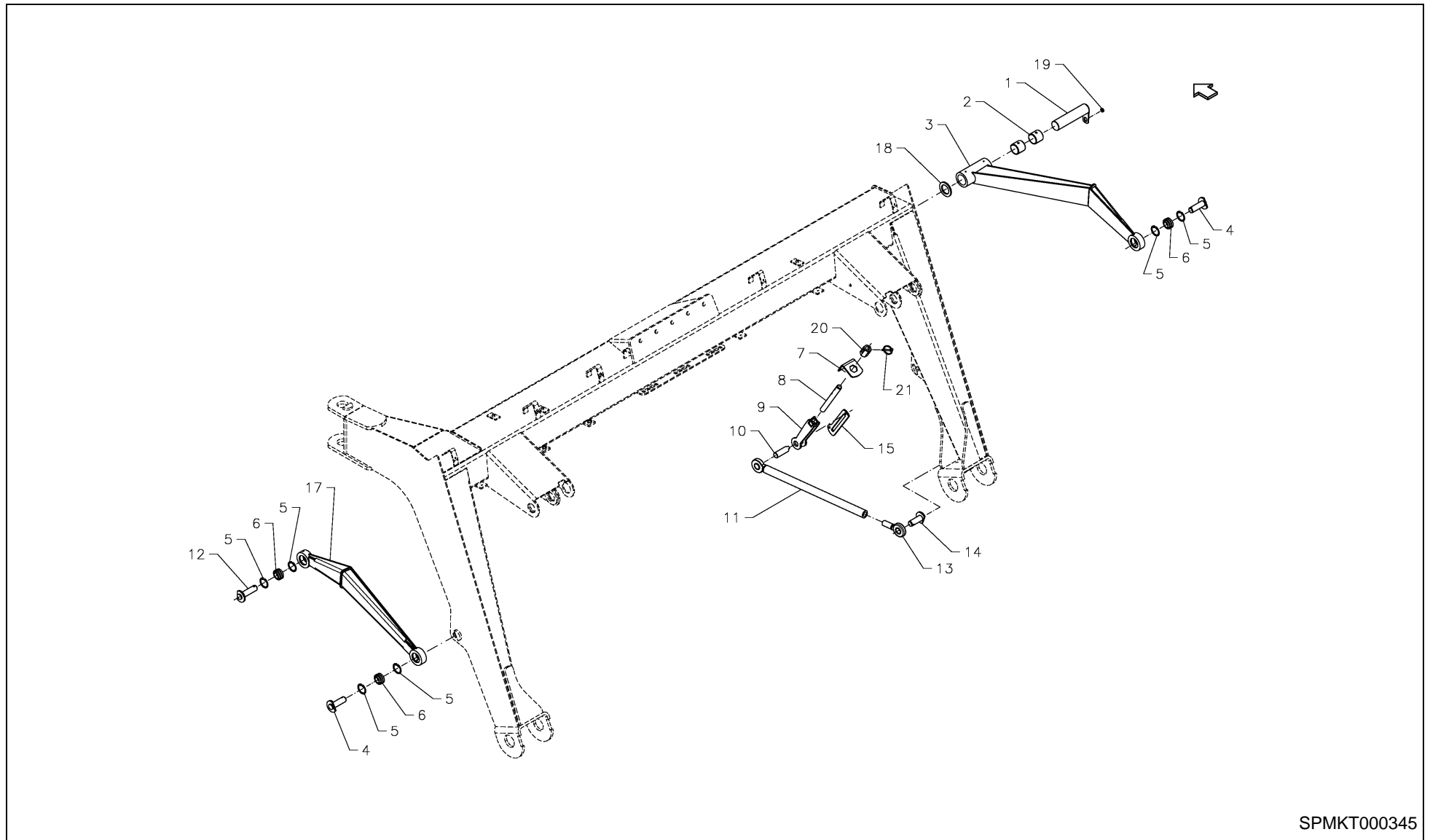
# 4232LT / Primary frame, wheel



**4232LT / Primary frame, wheel**

PosNo.	Part No.	Qty.	Description	Remark
1	KG00363161	4	HEX. BOLT M16X140 8.8	
2	KT9052700094	1	GUARD, RH	
3	KT90534000	1	TOP PLATE	
4	KT9052900094	1	GUARD, CENTER	
5	KT9040200061	2	CONSOLE	
6	KT99434056	4	HUB, COMPLETE	
7	KT99432375	2	TYRE 15.00-17	
8	KT99432066	2	RIM 15.00-17	
9	KT26422000	2	WHEEL CPL.	
10	KG01064461	4	LOCK NUT M16 8	
11	KG01267761	4	WASHER M16	
12	KT99434601	6	STUD	
13	KT90186000	1	SAFETY DECAL SET	
14	KT99434602	6	NUT	
15	KT99434603	1	COVER	
16	KT9040100094	1	BRACKET	
17	KG00362561	3	HEX. BOLT M16X80 8.8	
18	KG01064461	3	LOCK NUT M16 8	
19	KG01267761	3	WASHER M16	
20	KT9093700086	1	COUNTER BALANCE BLOCK	
21	KT9093800086	1	COUNTER BALANCE BLOCK	
22	KT9093900086	1	COUNTER BALANCE BLOCK	

# 4232LT / Connecting arm

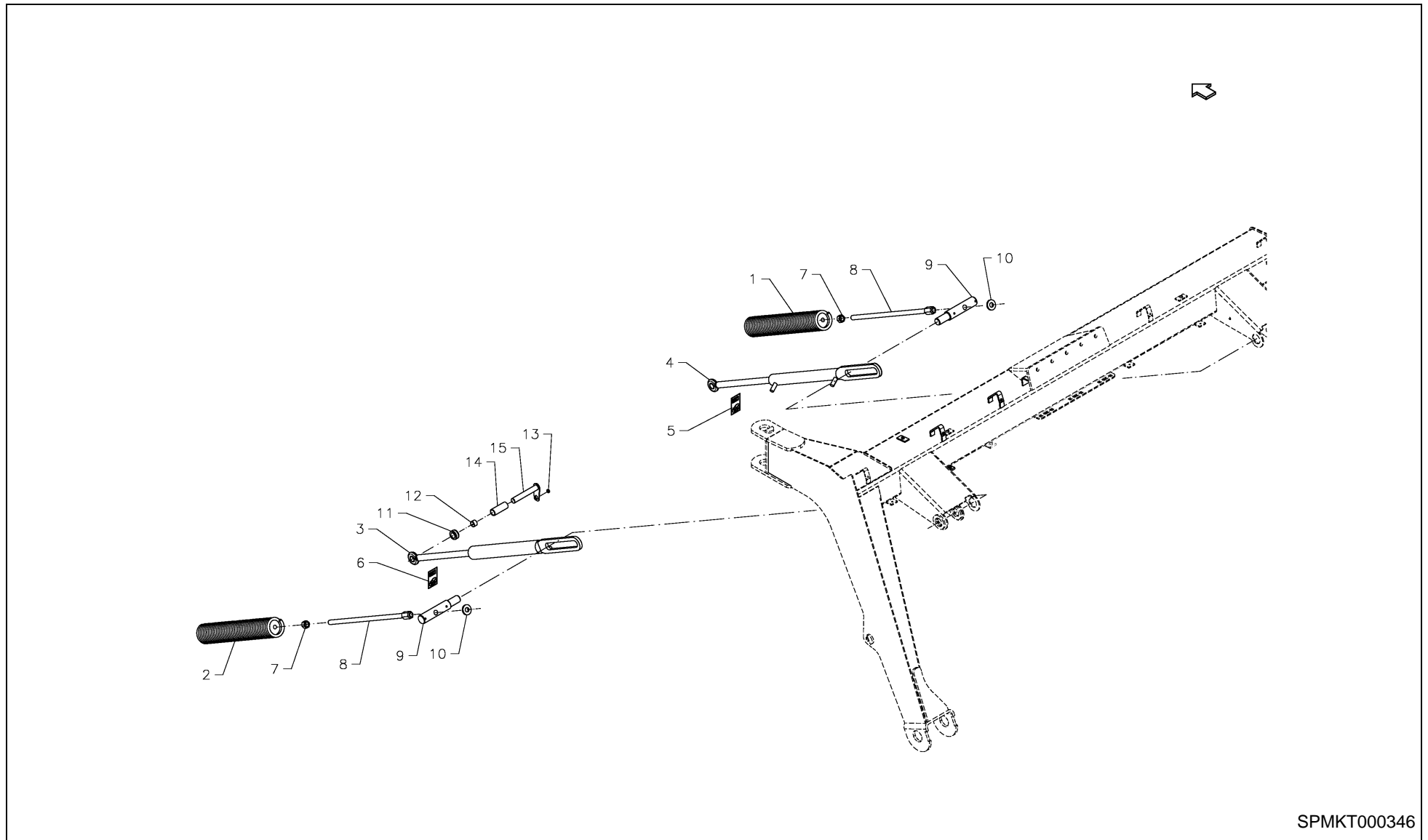


SPMKT000345

**4232LT / Connecting arm**

PosNo.	Part No.	Qty.	Description	Remark
1	KT9046510061	1	PIN BOLT Ø 45	
2	KT99158088	2	GLACIER BUSHING PM 4545 DX	
3	KT9047900094	1	ARM, RIGHT	
4	KT9036100061	2	PIN BOLT	
5	KG01128700	6	CIRCLIP-B 47 X 1.75	
6	KT99160045	3	BEARING Ø 25 GE25FO 2RS	
7	KT9087800061	1	BRACKET	
8	KT9047300061	1	SPINDLE	
9	KT9048200061	1	BRACKET	
10	KT9057700061	1	BOLT	
11	KT9048300094	1	ARM	
12	KT9047200061	1	PIN BOLT	
13	KT99160047	1	BEARING Ø 25 GAR25UK	
14	KT9036200061	1	PIN BOLT	
15	KT9057800061	1	PLATE	
17	KT9048000094	1	ARM, LEFT	
18	KT9094100061	1	WASHER Ø45,5/Ø75 - 5	
19	KT3130700061	1	RING	
20	KT9057800061	1	PLATE	
21	KT99331901	1	LINCH PIN Ø 6	

4232LT / Spring, hydraulic cylinder

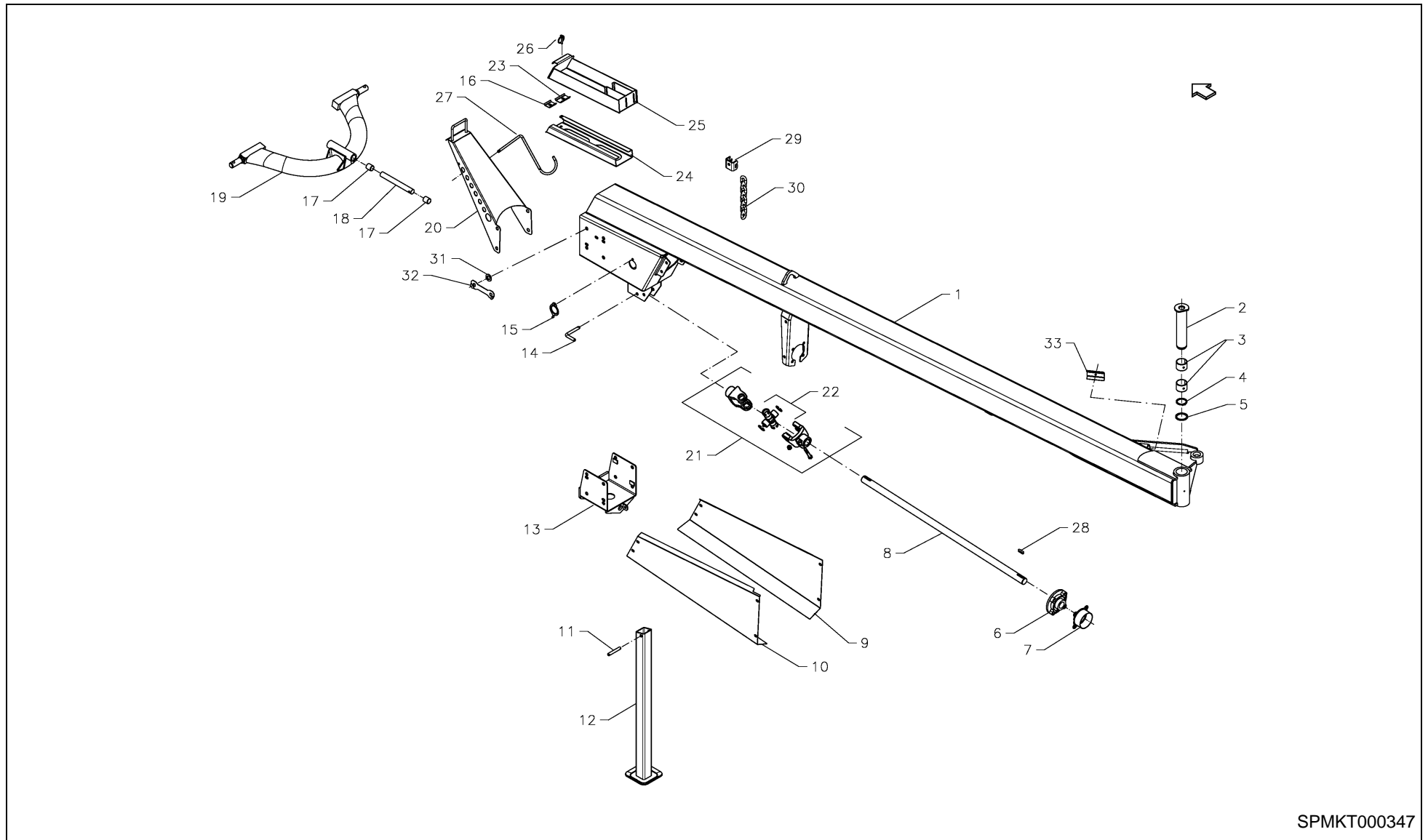


SPMKT000346



**4232LT / Spring, hydraulic cylinder**

PosNo.	Part No.	Qty.	Description	Remark
1	KT9073000064	1	SPRING TAARUP	n = 46 - ø14 mm
2	KT9072300064	1	SPRING	n = 42 - ø15 mm
3	KT9050010094	1	HYDRAULIC CYLINDER	
4	KT9049910094	1	HYDRAULIC CYLINDER	
5	KT99413147	1	GASKET KIT	
6	KT99413148	1	GASKET KIT	
7	KG01052661	2	HEX. NUT M22 8	
8	KT9051410061	2	SPINDLE	
9	KT9036300061	2	SHAFT	
10	KT68312000	2	WASHER (DISC)	
11	KT6244500061	2	BEARING	
12	KT99158065	2	GLACIER BUSHING PM 2520 DX	
13	KT3130700061	2	RING	
14	KT9046700061	2	SPACER	
15	KT9046610061	2	PIN BOLT Ø25	

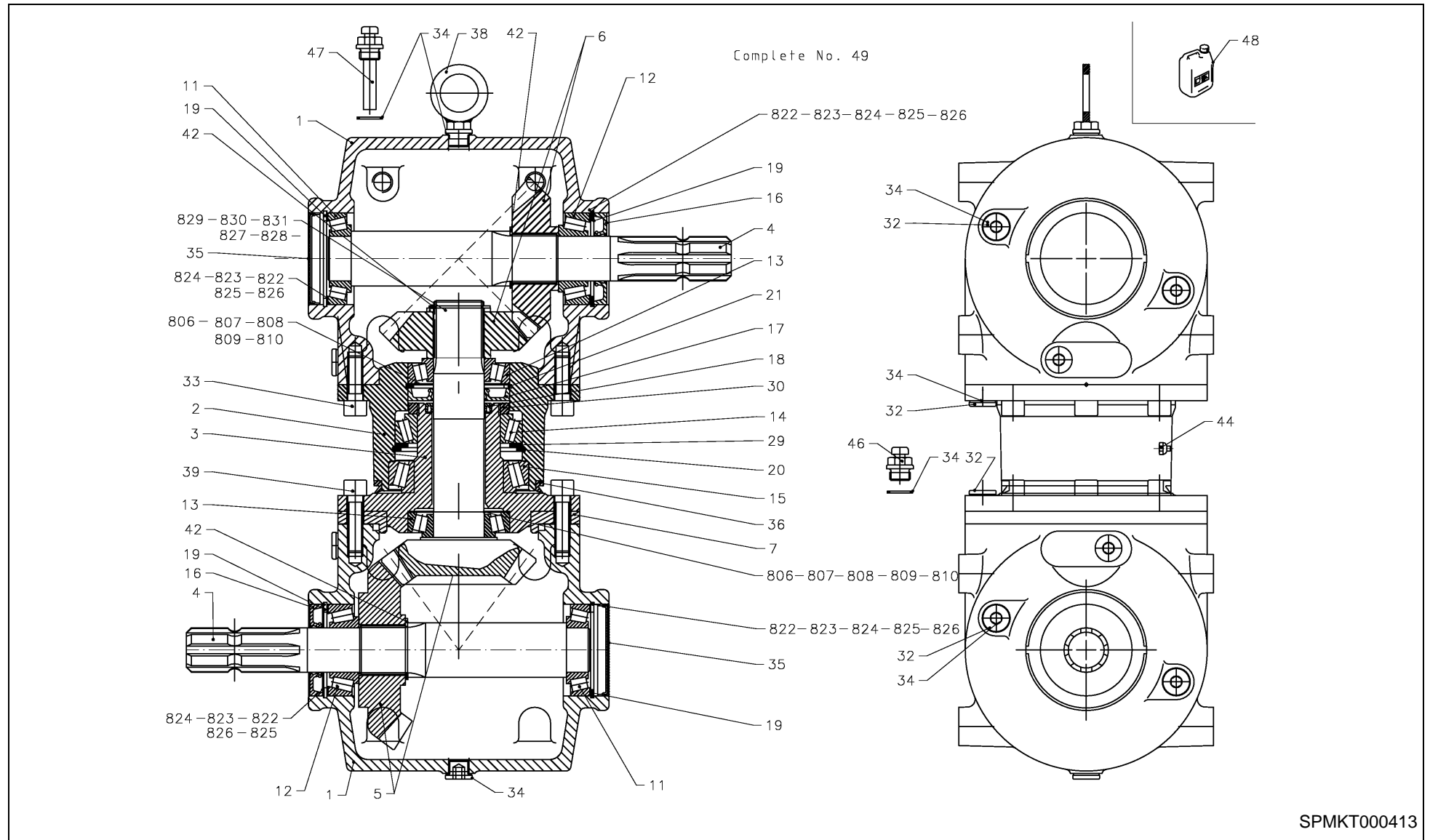


SPMKT000347

**4232LT / Drawbar**

PosNo.	Part No.	Qty.	Description	Remark
1	KT9033100094	1	DRAWBAR	
2	KT6823110061	1	SHAFT	
3	KT99158090	2	BUSH PM 5040 DX	
4	KG01110400	1	CIRCLIP-A 50 X 2	
5	KT99350537	1	WASHER	
6	KT99125012	1	FLANG BEARING	
7	KT9057600061	1	BRACKET	
8	KT9033200001	1	SHAFT	
9	KT9033300094	1	GUARD, RH	
10	KT9033400094	1	GUARD, LH	
11	KT6056800061	1	COTTER BOLT	
12	KT3877810094	1	SUPPORT LEG	
13	KT9032500094	1	BRACKET	
14	KT3626300061	1	PIN BOLT	
15	KT2844700061	2	COVER	
16	KT9075100061	1	PLATE	
17	KT99158066	2	BUSH PM 2530 DX	
18	KT3877610061	1	SHAFT	
19	KT3877520094	1	THREAD ROD	
20	KT9074810094	1	BRACKET	
21	KT99244485	1	UNIVERSAL JOINT, COMPLETE	
22	KT99244498	1	CROSS, COMPLETE	
23	KT9075000061	1	PLATE	
24	KT9074600094	1	BRACKET	
25	KT9074700094	1	TOOL BOX	
26	KT99331901	1	LINCH PIN Ø 6	
27	KT9074900061	1	HOOK	
28	KG01309000	2	KEY 10X8X45	
29	KT9088100061	1	BRACKET	
30	KT9089900061	1	CHAIN FOR GUARD (750 MM.)	
31	KT99333833	8	LOCK WASHER 13,0-19,5 NORDLOCK (NL12)	
32	KT9117700061	4	LOCK PLATE	
33	KT9117600061	1	FIXTURE	

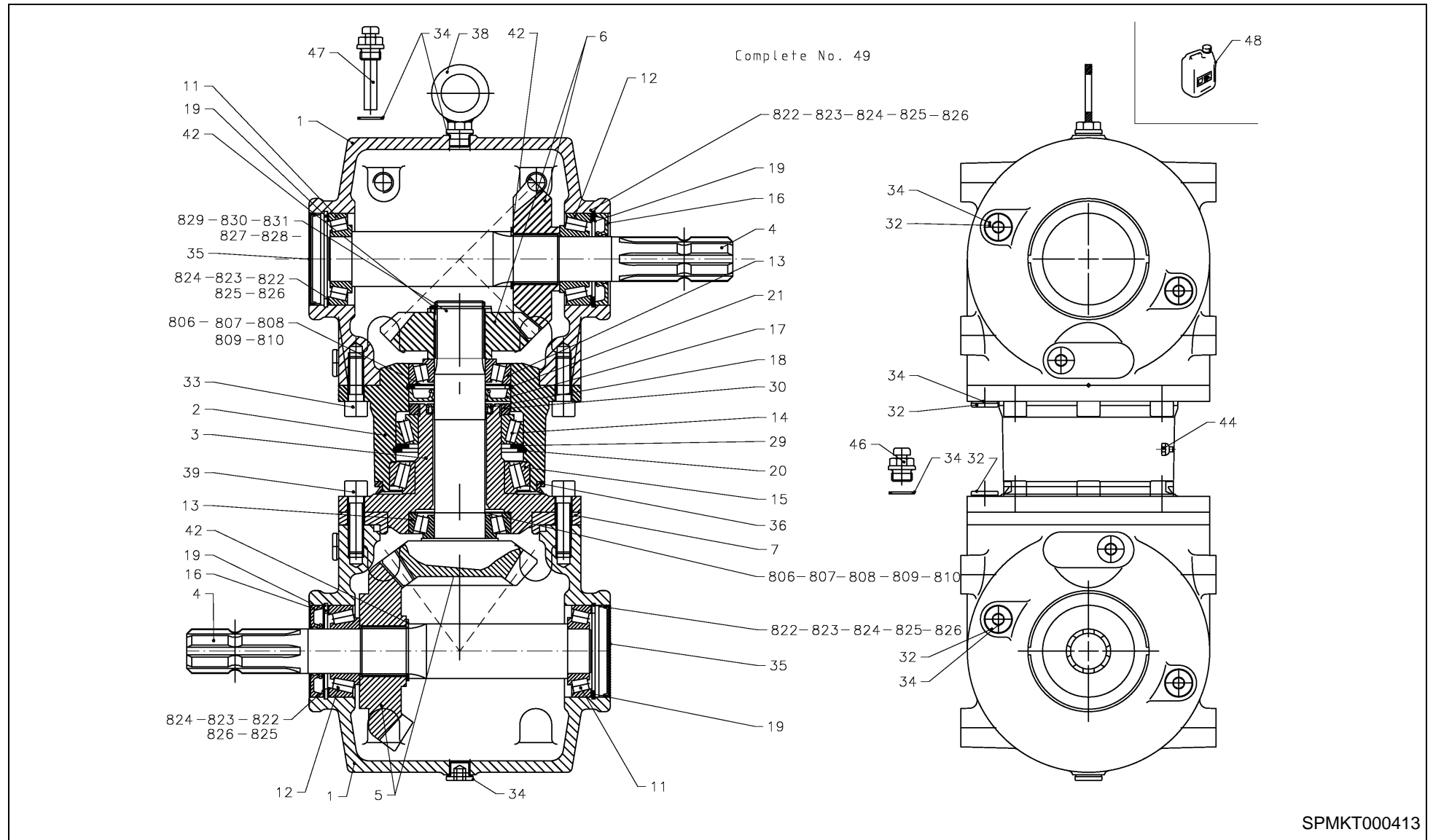
# 4232LT / Swivel gear, complete



**4232LT / Swivel gear, complete**

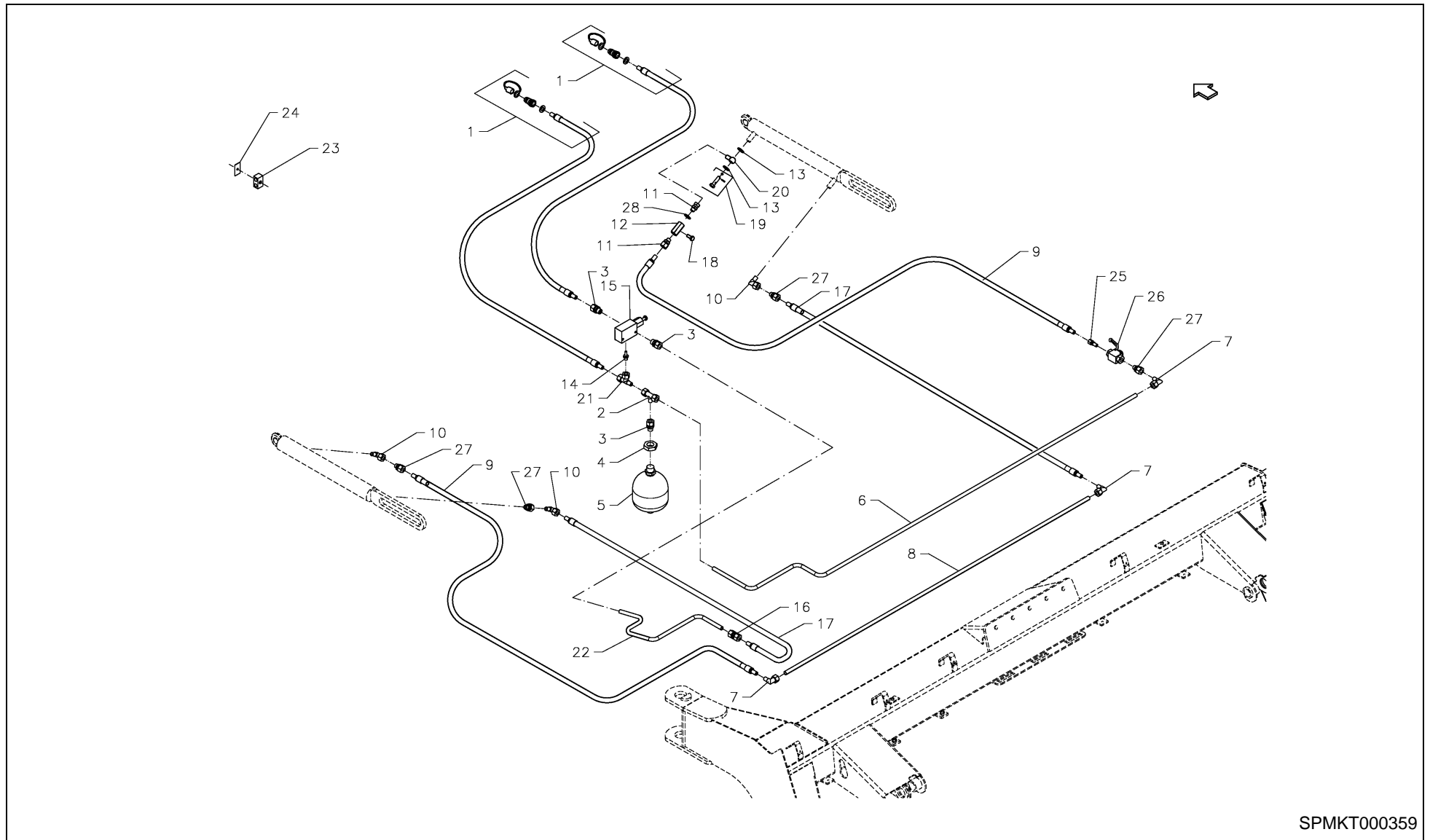
PosNo.	Part No.	Qty.	Description	Remark
1	KT99255100	2	GEAR BOX CASING	
2	KT99255101	1	GEAR BOX CASING	
3	KT99255102	1	GEAR BOX CASING	
4	KT99255103	2	SHAFT	
5	KT99255104	1	GEAR WHEEL SET	
6	KT99255105	1	GEAR WHEEL SET	
7	KT99255106	1	SPACER	
11	KT99255107	2	ROLLER BEARING	30207 A
12	KT99255108	2	ROLLER BEARING	32207 A
13	KT99255109	2	ROLLER BEARING	30207 A
14	KT99255110	1	ROLLER BEARING	32013 XA
15	KT99255111	2	ROLLER BEARING	32014 XA
16	KT99255112	2	SEALING RING	35x72x10
17	KT99255113	1	SEALING RING	40x80x10
18	KT99255114	1	SEALING RING	40x52x7
19	KT99255115	4	CIRCLIP	72x2,5
20	KT99255116	2	CIRCLIP	100x3,0
21	KT99255117	1	CIRCLIP	80x2,5
29	KT99255118	1	SPACER	90x100x3,5
30	KT99255119	1	RING	M65x2
32	KT99255120	8	PLUG	
33	KT99255121	6	HEXAGON SOCKET HEAD CAP SCREW	M12x35
34	KT99255122	12	GASKET	ø16xø20
35	KT99255123	2	CAP	ø72x9
36	KT99255124	1	SEALING RING	
38	KT99255125	1	BOLT	
39	KT99255126	6	HEXAGON SOCKET HEAD CAP SCREW	M 12x45
42	KT99255127	3	CIRCLIP	39x1,75
44	KT99255128	1	GREASE NIPPLE	
46	KT99255129	1	VALVE	
47	KT99255229	1	VALVE	
48	KT10101000	1	CAN W. 1 L. OIL REPLACES 99.417.577	
49	KT99255001	2	SWIVEL GEAR, COMPLETE	
806	KT99255131	2	SHIM	72x80x0,15
807	KT99255132	2	SHIM	72x80x0,1
808	KT99255133	2	SHIM	72x80x0,3
809	KT99255134	2	SHIM	72x80x0,5
810	KT99255135	2	SHIM	70x80x1,0
822	KT99255136	4	SHIM	62x72x0,15
823	KT99255137	4	SHIM	62x72x0,1

# 4232LT / Swivel gear, complete



**4232LT / Swivel gear, complete**

<b>PosNo.</b>	<b>Part No.</b>	<b>Qty.</b>	<b>Description</b>	<b>Remark</b>
824	KT99255138	4	SHIM	62x72x0,3
825	KT99255139	4	SHIM	62x72x0,5
826	KT99255140	2	SHIM	62x72x1,0
827	KT99255141	2	SHIM	40x50x2,0
828	KT99255142	1	SHIM	40x50x0,5
829	KT99255143	1	SHIM	40x50x0,3
830	KT99255144	1	SHIM	40x50x0,1
831	KT99255145	1	SHIM	40x50x0,15

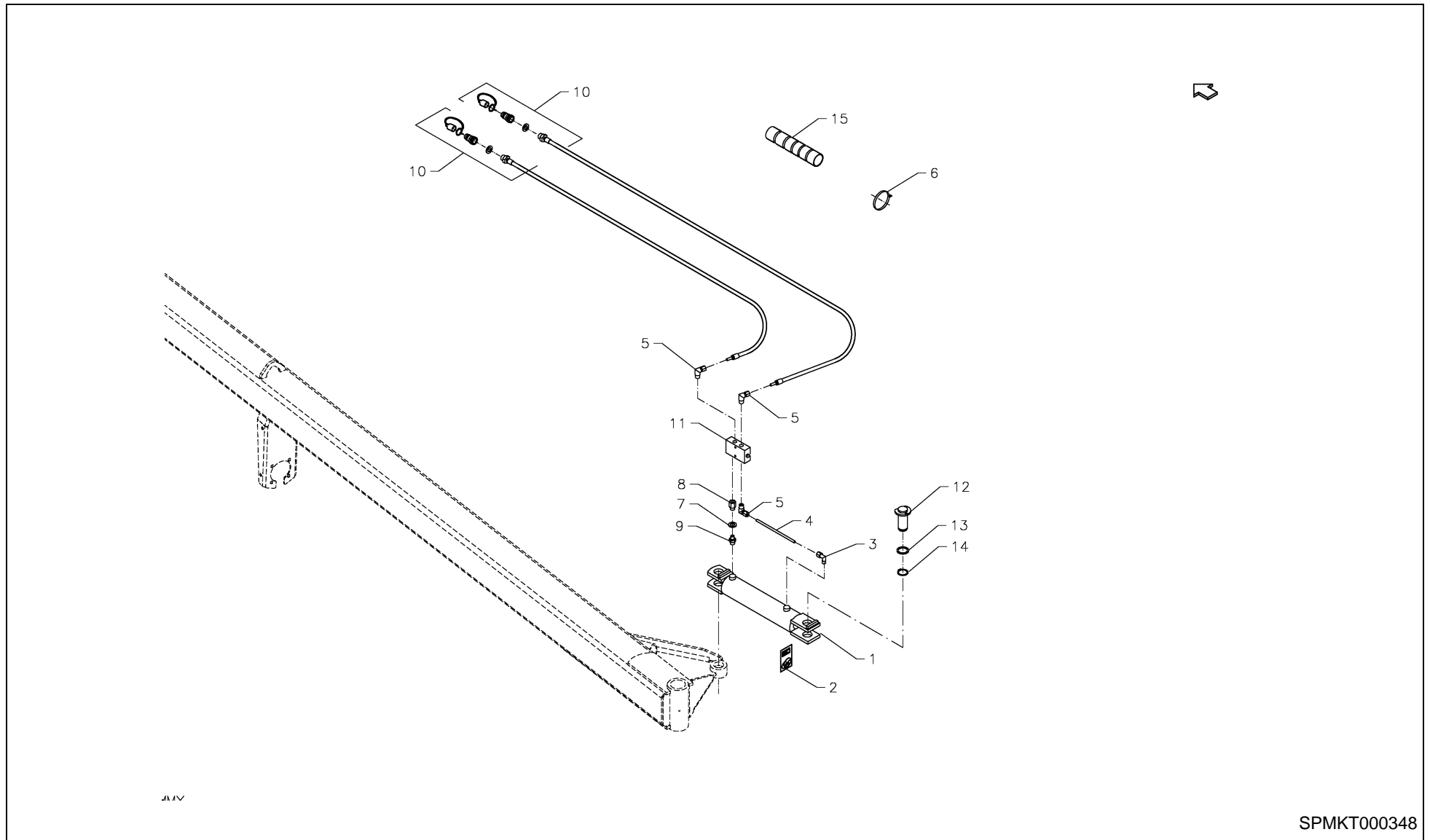


SPMKT000359



**4232LT / Hydraulic**

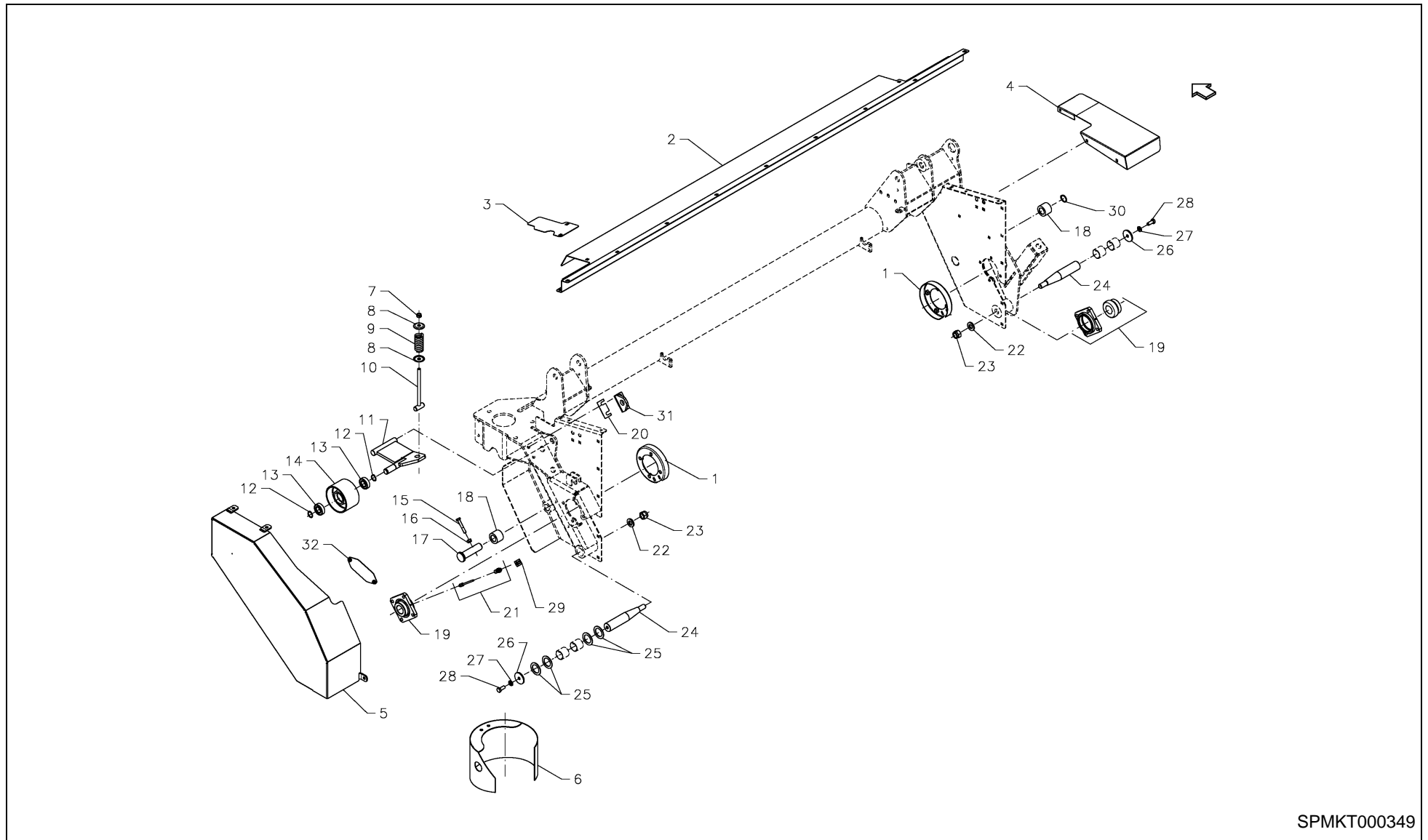
PosNo.	Part No.	Qty.	Description	Remark
1	KT90667000	2	HYDRAULIC HOSE L= 6370 MM	
2	KT99404242	1	ADJUST. T-CONNECTION Ø 15	
3	KT99402113	3	SCREWED CONNECTION Ø15-1/2"	
4	KT99307775	1	COUNTER NUT M33 X 1,5	
5	KT99408914	1	ACCUMULATOR 0,75 LTR.	
6	KT90686000	1	HYDRAULIC PIPE L= 2440 MM	
7	KT99403015	3	ANGLE SCREW CAP Ø 15	
8	KT90656000	1	HYDRAULIC PIPE L= 1810 MM	
9	KT90654000	2	HYDRAULIC HOSE L= 1170 MM	
10	KT99403211	3	ANGLE SCREW-JOINT Ø15-3/8"	
11	KT99402921	2	ADAPTOR 3/8" BSP - 3/8" BSP	
12	KT9065800061	1	STRAIGHT CONNECTION	
13	KT99428522	2	COPPER DISC	
14	KT99402914	1	PIPE SOCKET	
15	KT99407540	1	PRESSURE COMPENSATOR VALVE DINOIL VPDB1	
16	KT99402007	1	STRAIGHT SCREW-JOINT	
17	KT90655000	2	HYDRAULIC HOSE	L = 690 mm
18	KT99402904	1	DUMMY PLUG 1/4	
19	KT67602000	1	BANJOBOLT,KPL.	
20	KT99402941	1	BANJO CONNECTION	
21	KT99404018	1	L-SCREW JOINT Ø 15	
22	KT90688100	1	HYDRAULIC PIPE 15X682 4 BENDS	
23	KT99408934	12	DOUBLE PIPE HOLDER	
24	KT99408943	7	TOP PLATE F. DOBB. PIPE HOLDER	
25	KT99402922	1	TUBE CONNECTION Ø15-3/8"	
26	KT99407410	1	BLOCK BALL VALVE 3/8	
27	KT99402114	4	SCREWED CONNECTION Ø15-3/8"	
28	KD0300863	1	3/8 BSP DOWTY WASHER LD	



**4232LT / Hydraulic, drawbar**

PosNo.	Part No.	Qty.	Description	Remark
1	KT9040300094	1	HYDRAULIC CYLINDER	
2	KT99413144	1	GASKET KIT	
3	KT99403220	1	ANGLE SCREW-JOINT	
4	KT90678000	1	HYDRAULIC PIPE	L = 203 mm
5	KT99403221	3	ANGLE SCREW-JOINT	
6	KT99352042	2	HOSE BAND Ø44/Ø56	
7	KT99428514	1	SEALING WASHER PP458	
8	KT49143000	1	ADAPTOR 3/8" - 1/4"	
9	KT99402352	1	ADAPTOR 1/4" - 1/4" RG	
10	KT90677000	2	HYDRAULIC HOSE L= 6120 MM	
11	KT99407008	1	SEALING	
12	KT9051210061	2	COTTERBOLT	
13	KT56227000	2	SUPPORTING DISC	
14	KG01109300	2	CIRCLIP-A 35 X 1.5	
15	KT79459000	2	FLEXIBLE COVER L=750 MM.	

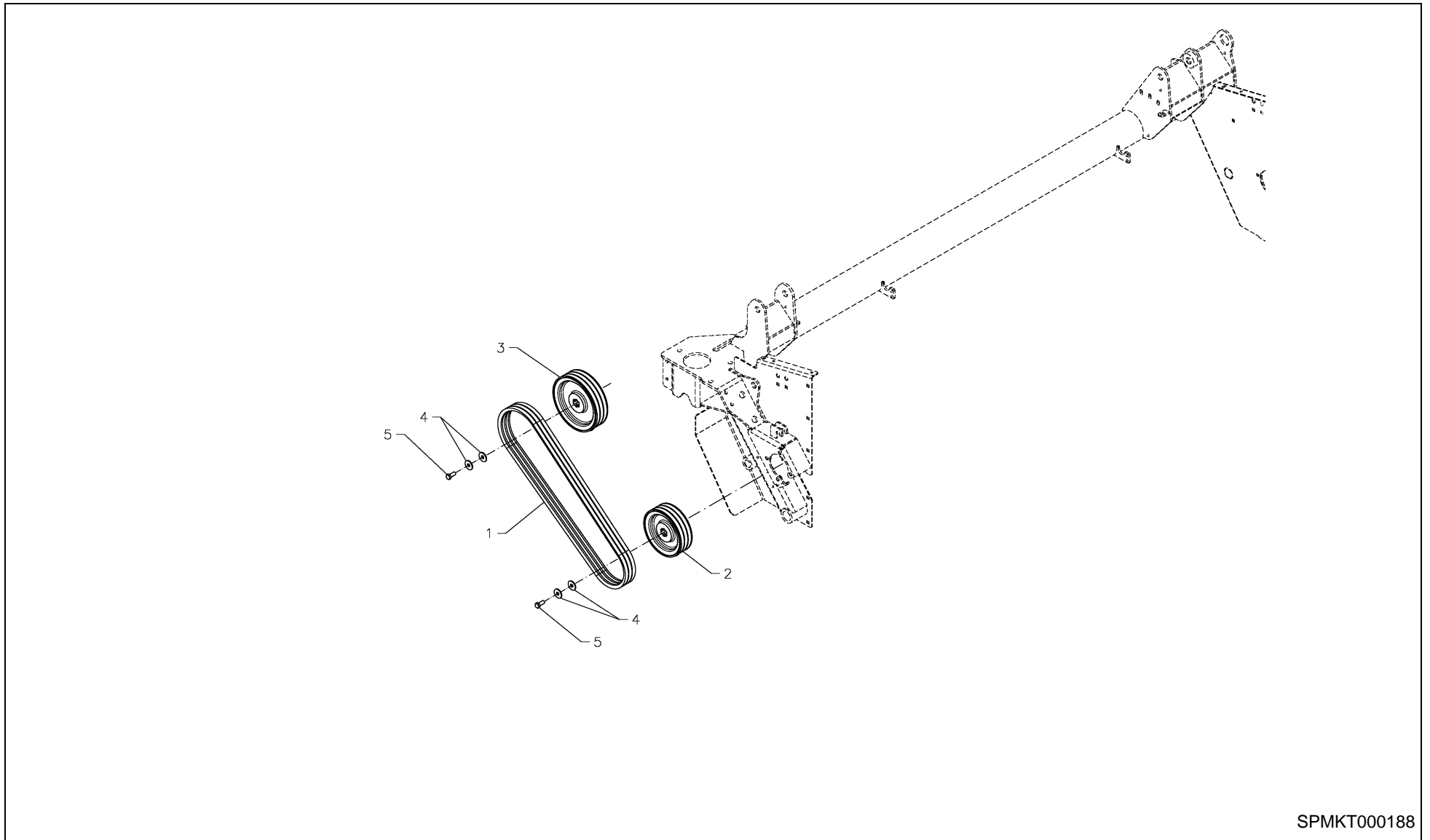
4232LT / Secondary frame



SPMKT000349

**4232LT / Secondary frame**

PosNo.	Part No.	Qty.	Description	Remark
1	KT9034510061	2	GUARD	
2	KT9048700094	1	PLATE	
3	KT9047100094	1	PLATE	
4	KT9038210094	1	GUARD	
5	KT9034400094	1	GUARD	
6	KT9081010094	1	GUARD LH	
7	KG01064261	1	LOCK NUT M12 8	
8	KT9063000061	2	WASHER	
9	KT4837700061	1	SPRING	
10	KT9053600061	1	SPINDLE	
11	KT9034910086	1	CONSOLE	
12	KG01108300	2	OUTER RETAINING RING-A 25 X 1.2	
13	KG01378900	2	BALL BEARING 6205-2RS	
14	KT6245600001	1	JOCKEY ROLLER	
15	KG00355761		HEX. BOLT M10X65 8.8	
16	KG01064161		LOCK NUT M10 8	
17	KT9035200061	1	SHAFT	
18	KT9035300061	2	SPACER	
19	KT9085300097	2	BEARING, COMPLETE	
20	KT9078900061	4	SHIM	
21	KT69540000	1	NYLON PIPE 6X3 MM, L = 365 MM	
22	KT5882400061	2	WASHER	
23	KG01064661		LOCK NUT M20 8	
24	KT9046900061	2	SHAFT	
25	KT9079000061	4	SPACER	
26	KT5874000061	2	WASHER	
27	KG01267561		WASHER M12	
28	KG00476561		HEX. SCREW M12X30 8.8	
29	KT6953600061	1	BRACKET	
30	KG01108800		CIRCLIP-A 30 X 1.5	
31	KT9053510061	1	BRACKET	
32	KT9127600061	1	COVER PLATE	

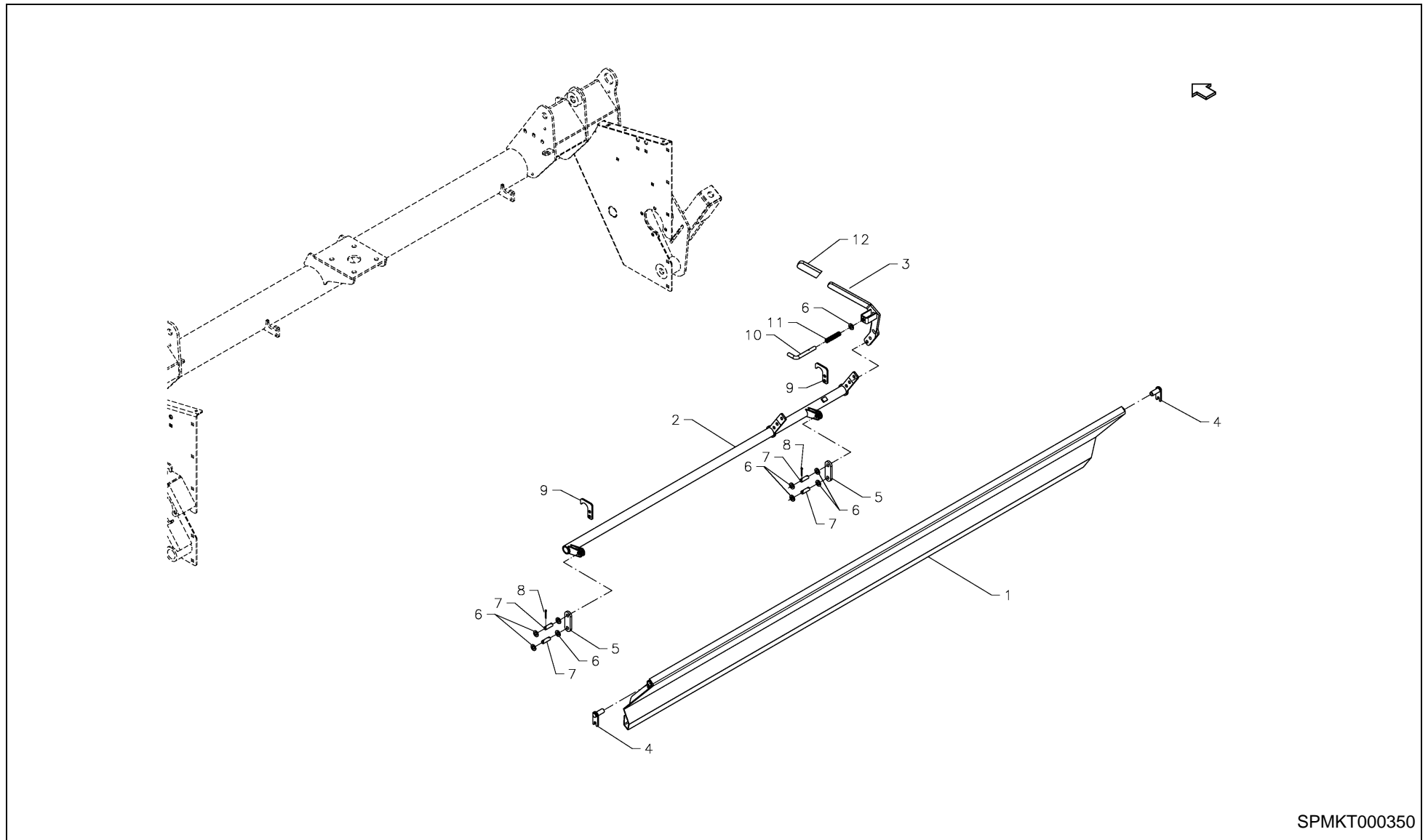


SPMKT000188

**4232LT / Transmission**

PosNo.	Part No.	Qty.	Description	Remark
1	KT99202435	1	SET OF V-BELTS LW 1860 TA42XX	3 pcs./set
2	KT6828400001	1	V-BELT PULLEY 3 SPB Ø190 MM	
3	KT6828300001	1	V-BELT PULLEY 3 SPB Ø225 MM	
4	KT5567000001	4	WASHER	
5	KG00476561	2	HEX. SCREW M12X30 8.8	

4232LT / Conditioner plate

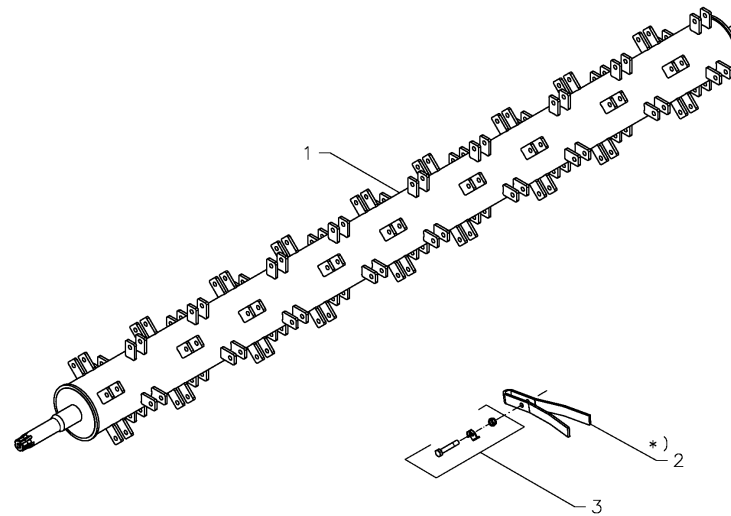


SPMKT000350



**4232LT / Conditioner plate**

PosNo.	Part No.	Qty.	Description	Remark
1	KT9118000086	1	CONDITIONER PLATE 3,2 M	
2	KT9046210086	1	REGULATING ROD 3,2 M	
3	KT9046110086	1	HANDLE	
4	KT9046400061	2	COTTER BOLT	
5	KT9034700086	2	CONNECTING LINK	
6	KG01267561		WASHER M12	
7	KT9046300061	4	COTTER BOLT	
8	KG01251561	8	SPLIT PIN 4X25 ST	
9	KT9034800061	2	LOCK PLATE	
10	KT6827100061	1	COTTER BOLT	
11	KT1769300061	1	SPRING	
12	KT38218000	1	PLASTICHANDLE	



\*) Total number on machine : 72 pcs.

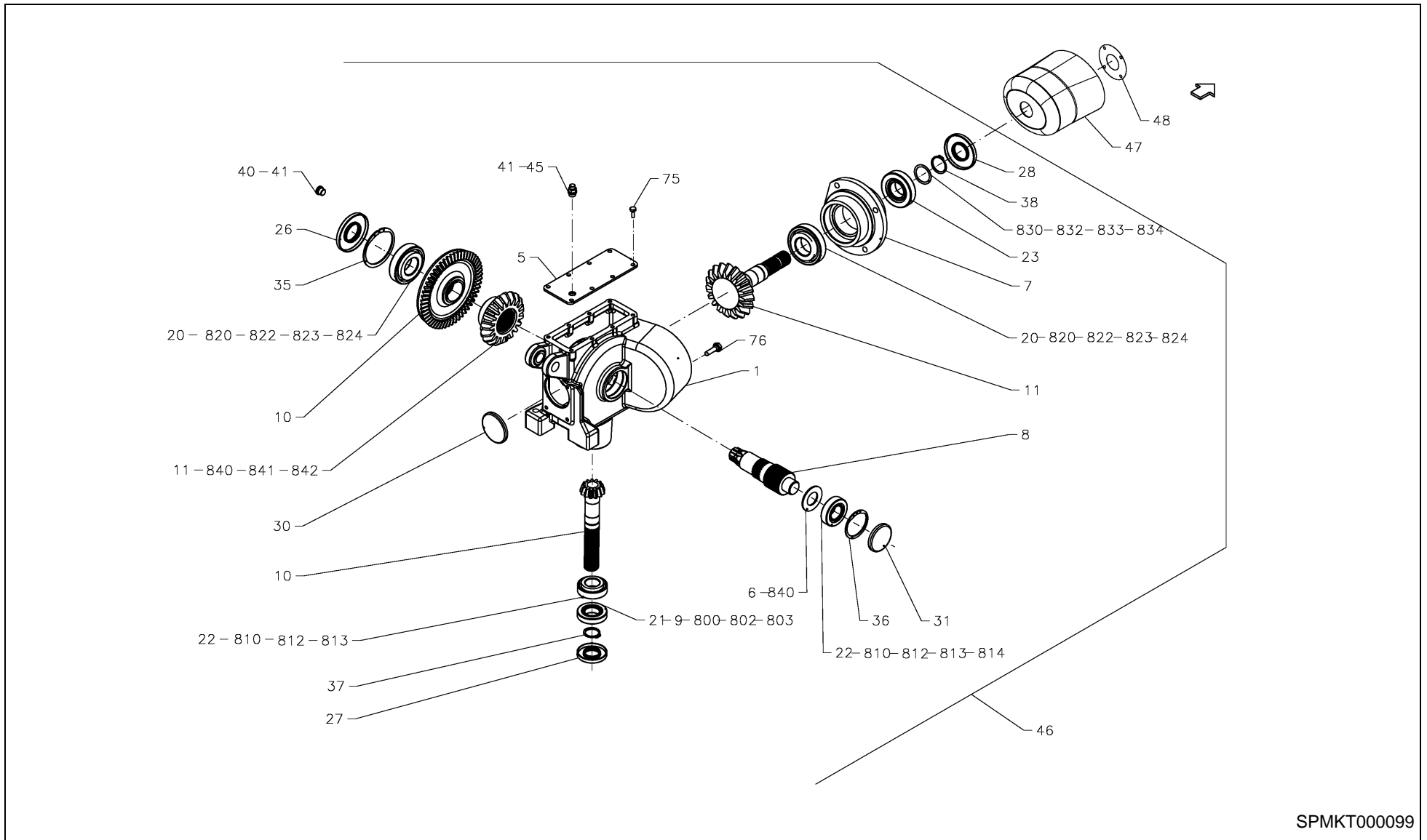
SPMKT000351

## 4232LT / Rotor

**taarup**

PosNo.	Part No.	Qty.	Description	Remark
1	KT9030020086	1	ROTOR 3,2 M	
2	KT90276000	1	SPARE PARTS SET	10 pcs/set
3	KT90278000	1	BOLT KIT	10 pcs/set

4232LT / Main gear box

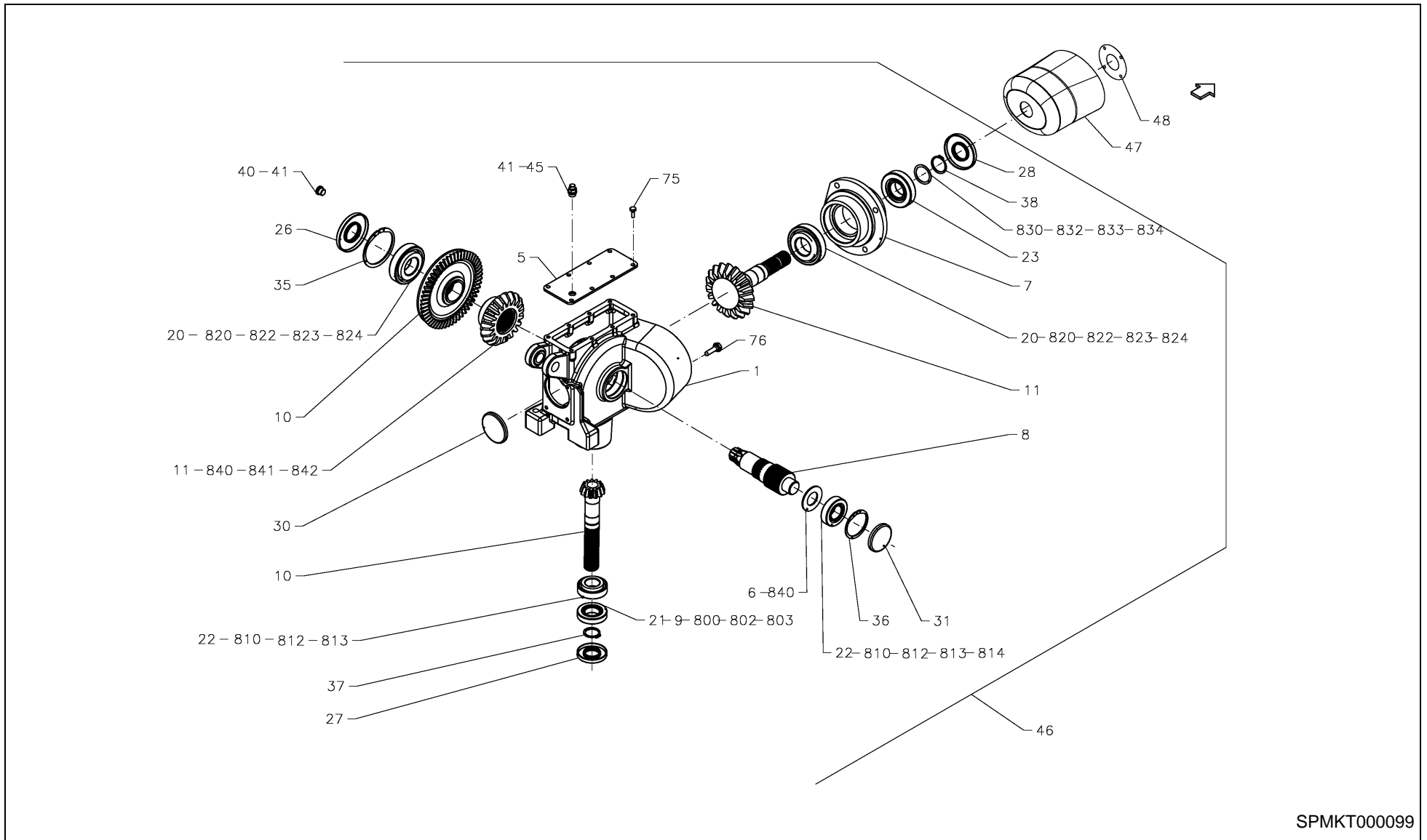


SPMKT000099

**4232LT / Main gear box**

PosNo.	Part No.	Qty.	Description	Remark
1	KT99255147	1	GEAR BOX CASING	
5	KT99255148	1	COVER	
6	KT99255149	1	SPACER	
7	KT99255150	1	FLANGE	
8	KT99255151	1	SHAFT	
9	KT99255152	1	RING	
10	KT99255153	1	GEAR WHEEL SET	
11	KT99255154	1	GEAR WHEEL SET	
20	KT99255155	2	ROLLER BEARING	30309A
21	KT99255107	1	ROLLER BEARING	30207A
22	KT99255108	2	ROLLER BEARING	32207A
23	KT99255156	1	ROLLER BEARING	30308A
26	KT99255157	1	SEALING RING	45x100x10
27	KT99255158	1	SEALING RING	35x72x10
28	KT99255159	1	SEALING RING	40x90x10
30	KT99255160	1	CAP	80x8
31	KT99255123	1	CAP	72x9
800	KT99255165	2	SHIM	35x45x0,1
802	KT99255166	1	SHIM	35x45x0,3
35	KT99255116	1	CIRCLIP	100x3,0
803	KT99255167	1	SHIM	35x45x0,5
36	KT99255115	1	CIRCLIP	72x2,5
37	KT99255161	1	CIRCLIP	35x2,5
38	KT99255162	1	CIRCLIP	40x1,75
40	KT99255120	2	PLUG	
41	KT99255122	3	GASKET	∅16x∅20
810	KT99255137	4	SHIM	62x72x0,1
812	KT99255138	2	SHIM	62x72x0,3
45	KT99255129	1	VALVE	
813	KT99255139	2	SHIM	62x72x0,5
46	KT99255003	1	MAIN GEAR BOX, COMPLETE	
814	KT99255140	1	SHIM	62x72x1,0
47	KT99244506	1	GUARD	
48	KT9062900061	1	DISC	
820	KT99255168	4	SHIM	90x100x0,1
822	KT99255169	2	SHIM	90x100x0,3
823	KT99255170	2	SHIM	90x100x0,5
824	KT99255171	2	SHIM	90x100x1,0
830	KT99255144	2	SHIM	40x50x0,1
832	KT99255143	1	SHIM	40x50x0,3

4232LT / Main gear box

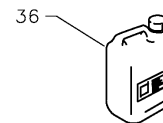
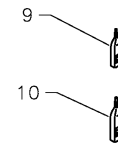
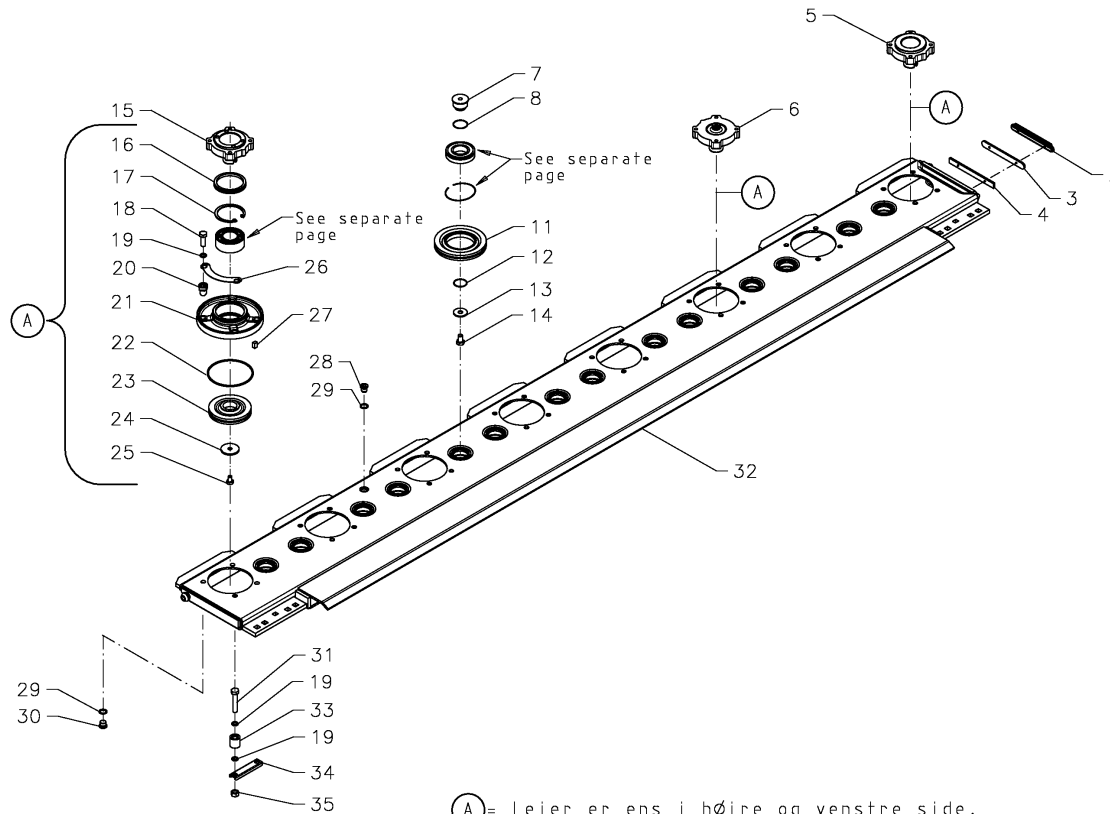


SPMKT000099

**4232LT / Main gear box**

<b>PosNo.</b>	<b>Part No.</b>	<b>Qty.</b>	<b>Description</b>	<b>Remark</b>
833	KT99255142	1	SHIM	40x50x0,5
834	KT99255172	1	SHIM	40x50x1,0
840	KT99255173	2	SHIM	60x75x0,1
841	KT99255174	2	SHIM	60x75x0,3
842	KT99255175	2	SHIM	60x75x0,5
75	KT99255163	8	BOLT	M 8x20
76	KT99255164	4	BOLT	M 12x40

Complete No. 1



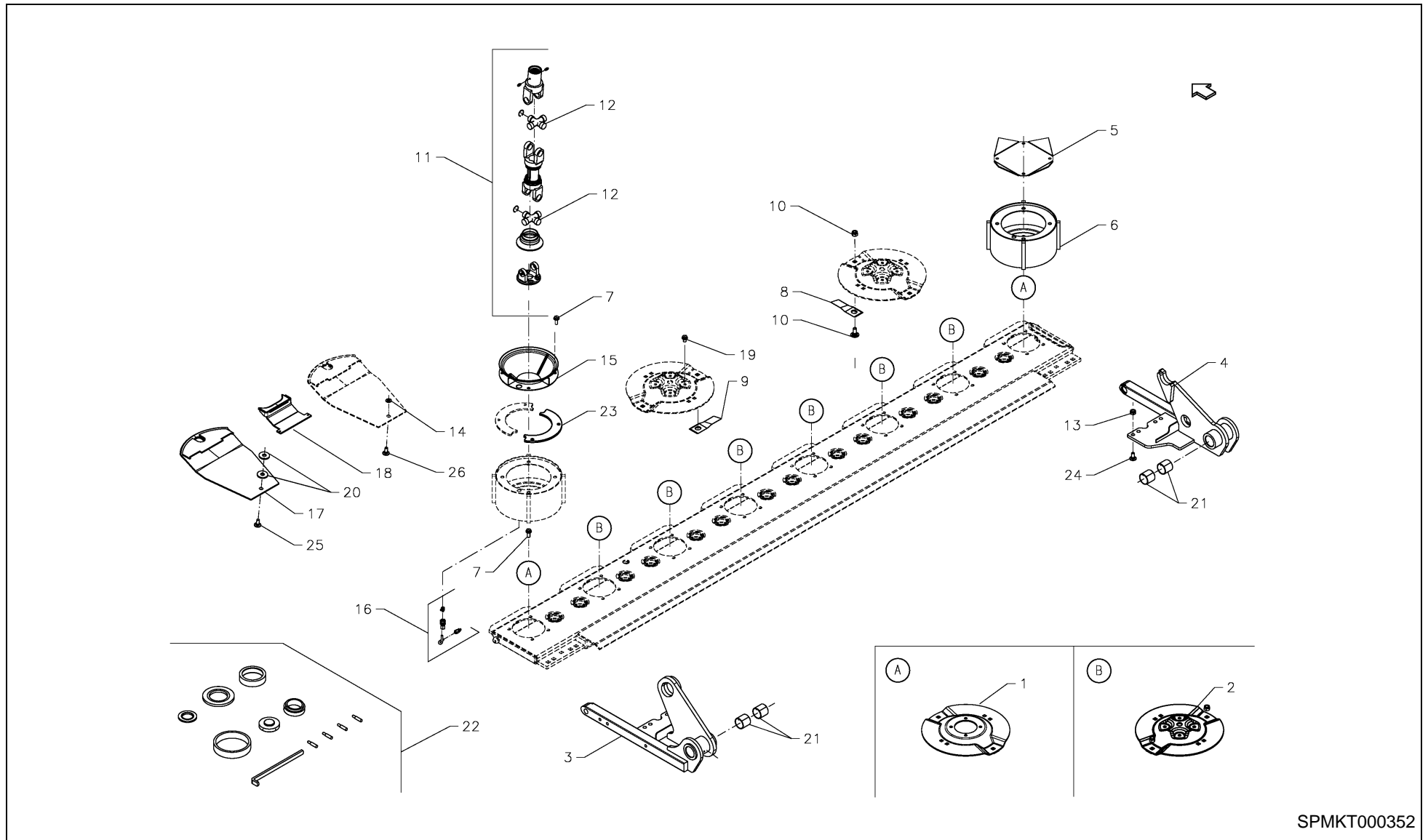
(A) = Lejer er ens i højre og venstre side.  
The bearings in the RH and LH side are identical.

SPMKT000353



**4232LT / Cutterbar**

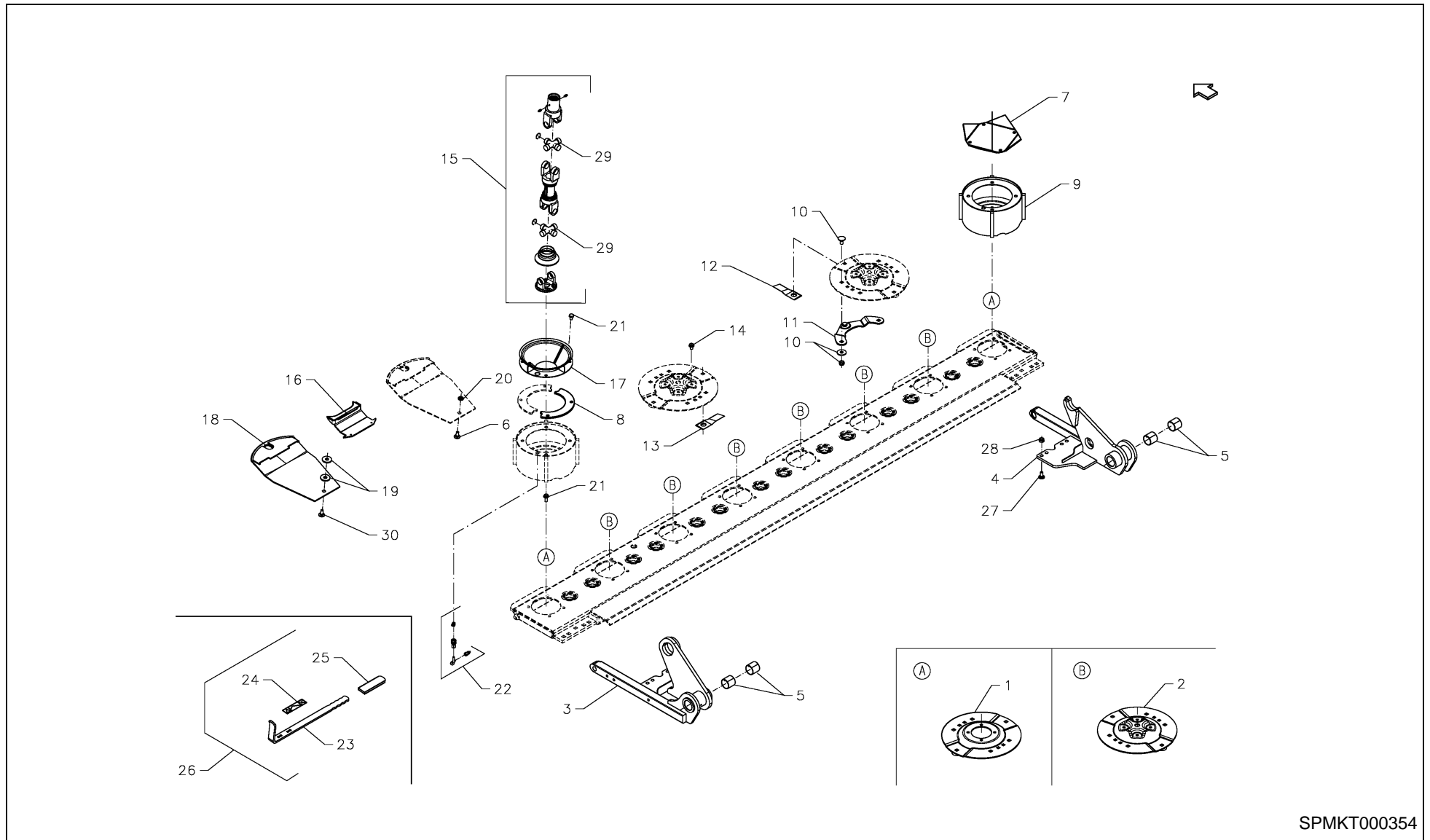
PosNo.	Part No.	Qty.	Description	Remark
1	KT5520200086	1	8-DISC CUTTERBAR, COMPLETE	
2	KT5564900061	1	COVER	
3	KT55651000	1	GASKET	
4	KT5565000001	1	PATCH	
5	KT5512600001	1	HUB	
6	KT5512300001	6	HUB	
7	KT5564400001	14	PIVOT PIN	
8	KT99420238	14	OIL SEAL	
9	KT99457134	1	LOCTITE TUBE 3 G	
10	KT99457135	1	LOCTITE TUBE 10 G	
11	KT5564110001	14	GEAR WHEEL	
12	KT99420125	14	34.2-3 OIL SEAL	
13	KT5567000001	14	WASHER	
14	KG00476261	14	HEX. SCREW M12X20 8.8	
15	KT5512400001	1	HUB	
16	KT99421068	8	SEALING RING	
17	KG01130900	8	CIRCLIP-B 80 X 2.5	
18	KG01840800	28	HEX. SCREW M12X35 10.9 4017	
19	KT99420109	36	OIL SEAL	
20	KT5564610001	28	NUT	
21	KT5512200001	8	CASING	
22	KT99420286	8	OIL SEAL	
23	KT5574900001	8	GEAR WHEEL	
24	KT5515400001	8	WASHER 11/50-4	
25	KG00473961		HEX. SCREW M10X16 8.8	
26	KT5572910061	16	LOCK PLATE	
27	KT99354122	8	KEY 10-8-16	
28	KT99462633	1	PLUG	
29	KT99462718	2	DISC	
30	KT99458109	2	TUBE PLUG	
31	KT99302819	4	STEEL BOLT M12X65	
32	KT5512900086	1	8-DISC CUTTERBAR	
33	KT5576600001	4	SPACER BUSHING	
34	KT5576700001	2	LOCK PLATE	
35	KG01840900	4	HEX. NUT M12 10 4032	
36	KT10105000	1	OIL CAN 5 LTR.	



SPMKT000352

**4232LT / Transmission, cutterbar**

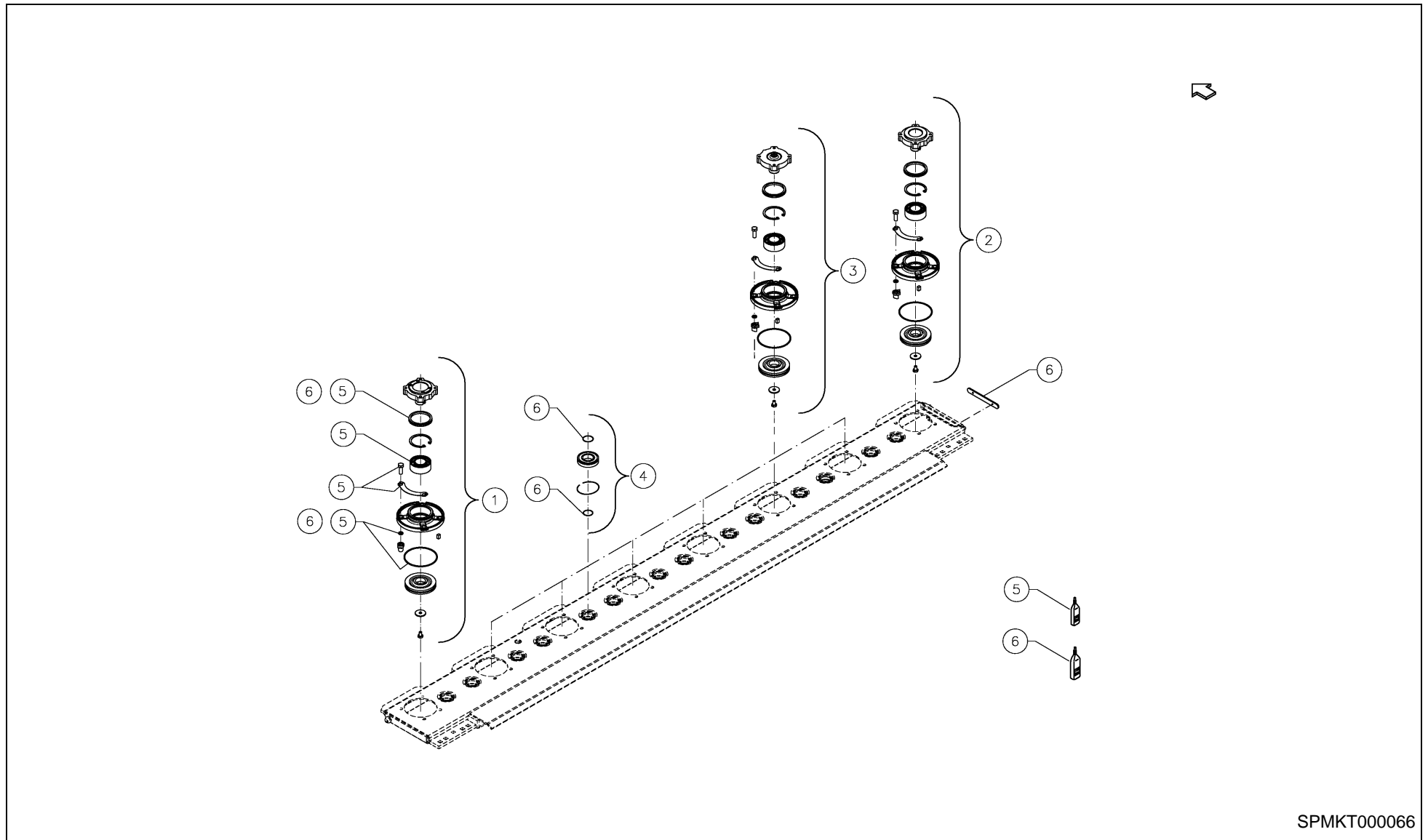
PosNo.	Part No.	Qty.	Description	Remark
1	KT5513300094	2	CUTTING DISC	
2	KT5513400094	6	CUTTING DISC	
3	KT9030600086	1	BRACKET, LH	
4	KT9030500086	1	BRACKET, RH	
5	KT5516200094	1	TOP PLATE	
6	KT5512810094	2	CONE	
7	KT99308826		STEEL BOLT (VERBUS RIBB BOLT) M10X20	
8	KT56781000	1	KNIFE KIT RH CPL. KIT = 25 PCS. (126 MM)	
9	KT56782000	1	KNIFE KIT LH CPL. KIT = 25 PCS. (126 MM)	
10	KT56785000	1	KNIFE BOLT KIT CPL. (25 PCS.)	
11	KT55246000	1	UNIVERSAL JOINT, COMPLETE	
12	KT99244511	2	CROSS, COMPLETE	
13	KG01072461		LOCK NUT M12 8	
14	KG01267461		WASHER M10	
15	KT6865820094	1	TOP CONE	
16	KT69708000	1	LUBRICATION TUBE CPL. L= 115 MM TA40XX	
17	KT5512500086	8	WEARING SOLE	
18	KT5513900086	7	COUNTER KNIFE	
19	KT99308824		STEEL BOLT (VERBUS RIBB BOLT) M10X16	
20	KT5627100061	4	WASHER	
21	KT99158084	2	BEARING BUSHING PM 40	
22	KT55695100	1	TOOL KIT FOR CUTTERBAR	
23	KT5524700086	2	RING	
24	KT45431000	8	M12-35 BOLT	
25	KT56149000	2	PLOUGH BOLT	
26	KT45429000	6	M10-30 PLOUGHBOLT	



SPMKT000354

4232LT / Transmission, cutterbar + ProFit

PosNo.	Part No.	Qty.	Description	Remark
1	KT5515100094	2	CUTTING DISC (PROFIT)	
2	KT5515000094	6	CUTTING DISC (PROFIT)	
3	KT9030600086	1	BRACKET, LH	
4	KT9030500086	1	BRACKET, RH	
5	KT99158084	4	BEARING BUSHING PM 40	
6	KT45429000	6	M10-30 PLOUGHBOLT	
7	KT5516200094	1	TOP PLATE	
8	KT5524700086	2	RING	
9	KT5512810094	2	CONE	
10	KT90288000	1	BOLT KIT COMPLETE	
11	KT5577110094	16	KNIFE RETAINER (PROFIT)	
12	KT56781000	1	KNIFE KIT RH CPL. KIT = 25 PCS. (126 MM)	
13	KT56782000	1	KNIFE KIT LH CPL. KIT = 25 PCS. (126 MM)	
14	KT99308824		STEEL BOLT (VERBUS RIBB BOLT) M10X16	
15	KT55246000	1	UNIVERSAL JOINT, COMPLETE	
16	KT5513900086	7	COUNTER KNIFE	
17	KT6865820094	1	TOP CONE	
18	KT5512500086	8	WEARING SOLE	
19	KT5627100061	4	WASHER	
20	KG01267461		WASHER M10	
21	KT99308826		STEEL BOLT (VERBUS RIBB BOLT) M10X20	
22	KT69708000	1	LUBRICATION TUBE CPL. L= 115 MM TA40XX	
23	KT5577210061	1	TOOL	
24	KT55769000	1	WARNING SIGN	
25	KT38218000	1	PLASTICHANDLE	
26	KT91258000	1	TOOL CPL. 42XX	
27	KT45431000	8	M12-35 BOLT	
28	KG01072461		LOCK NUT M12 8	
29	KT99244511	2	CROSS, COMPLETE	
30	KT56149000	2	PLOUGH BOLT	

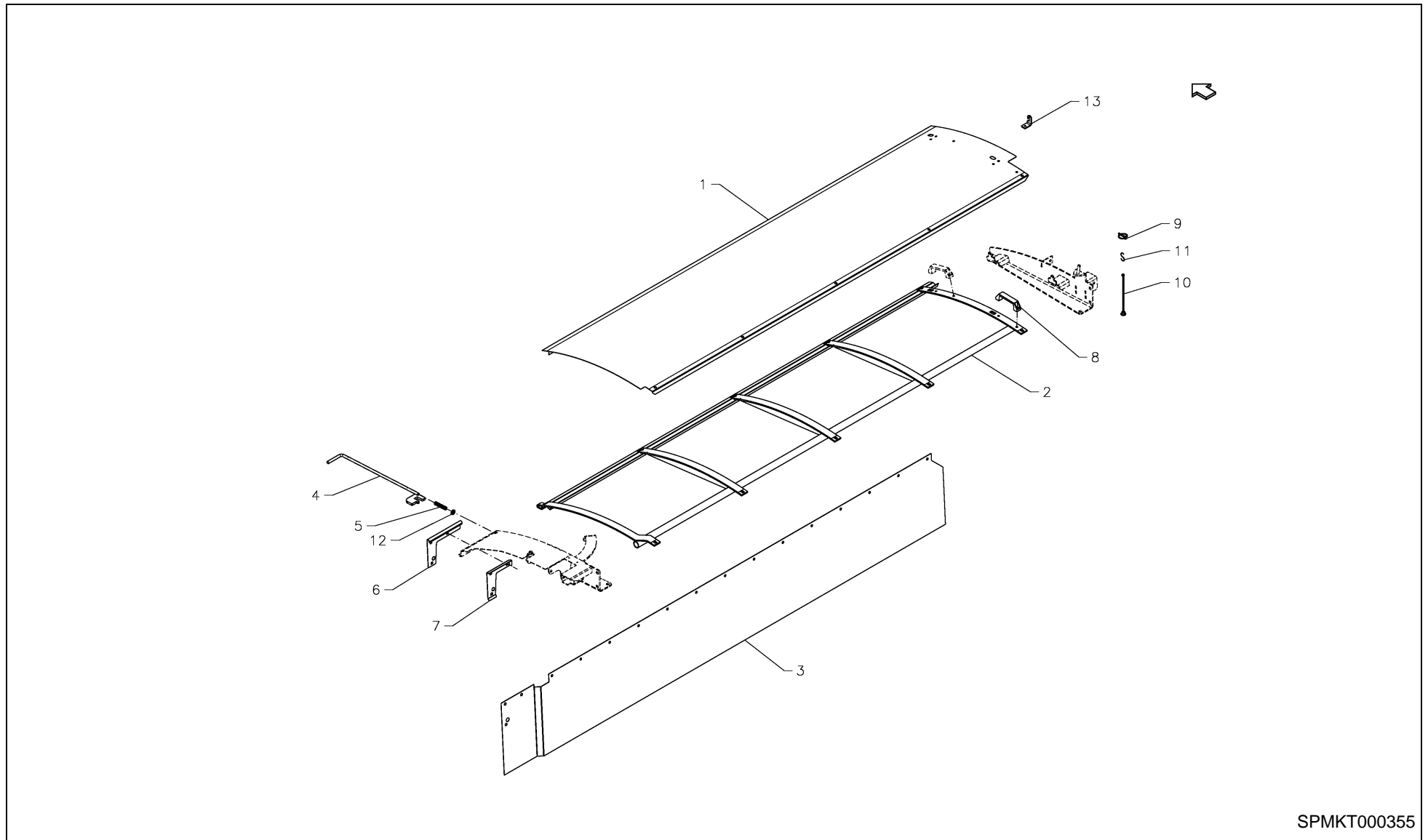


SPMKT000066

## 4232LT / Cutterbar



PosNo.	Part No.	Qty.	Description	Remark
1	KT55243000	1	CASING, COMPLETE	
2	KT55245000	1	CASING, COMPLETE	
3	KT55244000	1	CASING, COMPLETE	
4	KT55706100	1	SET OF BEARING	
5	KT55705300	1	SPARE PARTS SET TA42XX TA8XX	
6	KT55710300	1	GASKET KIT	



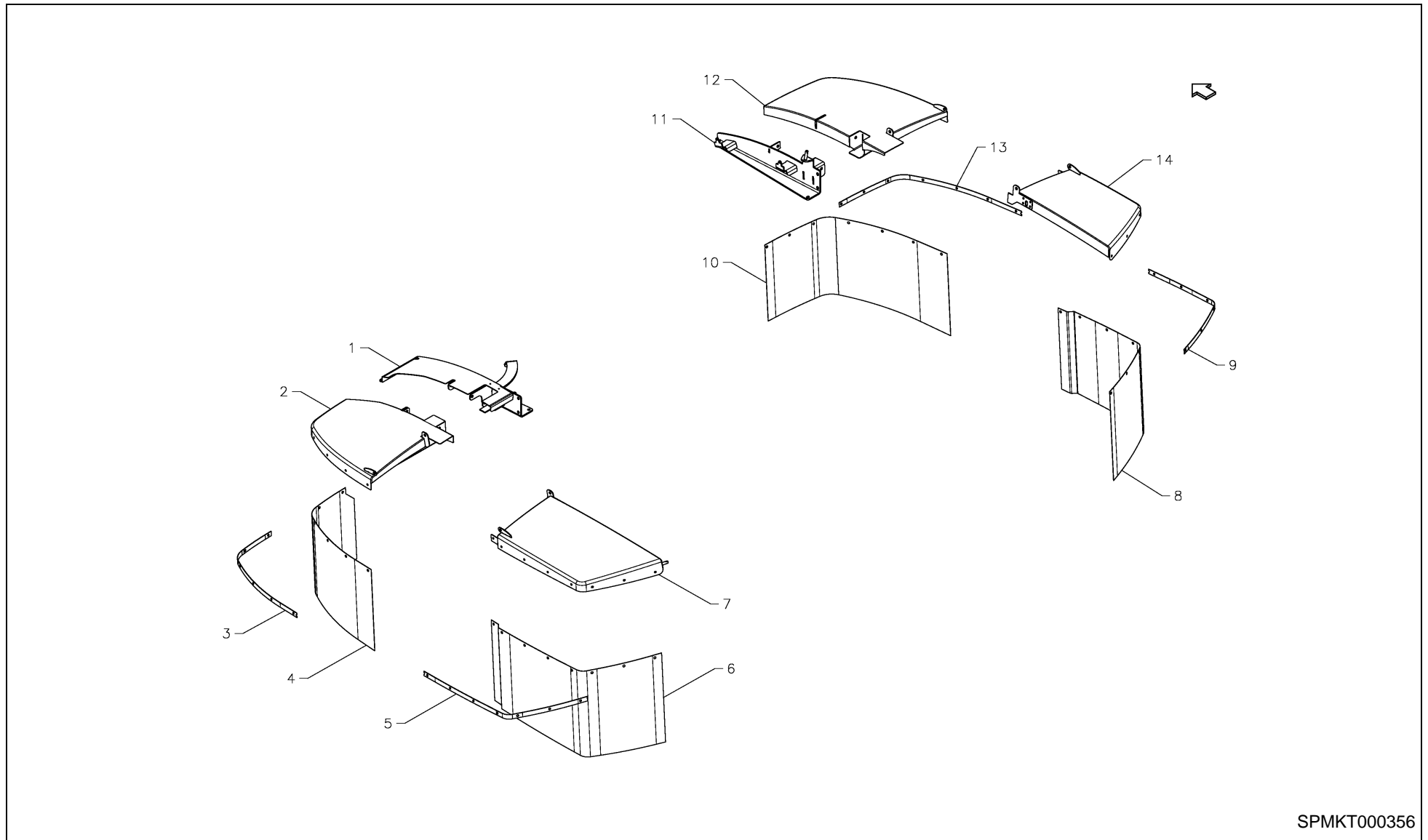
SPMKT000355



## 4232LT / Guard

**taarup**

PosNo.	Part No.	Qty.	Description	Remark
1	KT9060610094	1	TOP PLATE	
2	KT9059510094	1	FRAME	
3	KT90830000	1	TARPAULIN	
4	KT9059300061	1	HANDLE	
5	KT1769300061	1	SPRING	
6	KT9058410061	1	BRACKET	
7	KT9058510061	1	PLATE	
8	KT99458238	2	PLASTIC HANDLE	
9	KT99331901	2	LINCH PIN Ø 6	
10	VF06564448	3	CORD	
11	KT99452096	2	HOOK	
12	KG01267561		WASHER M12	
13	KT9088000061	1	BRACKET	



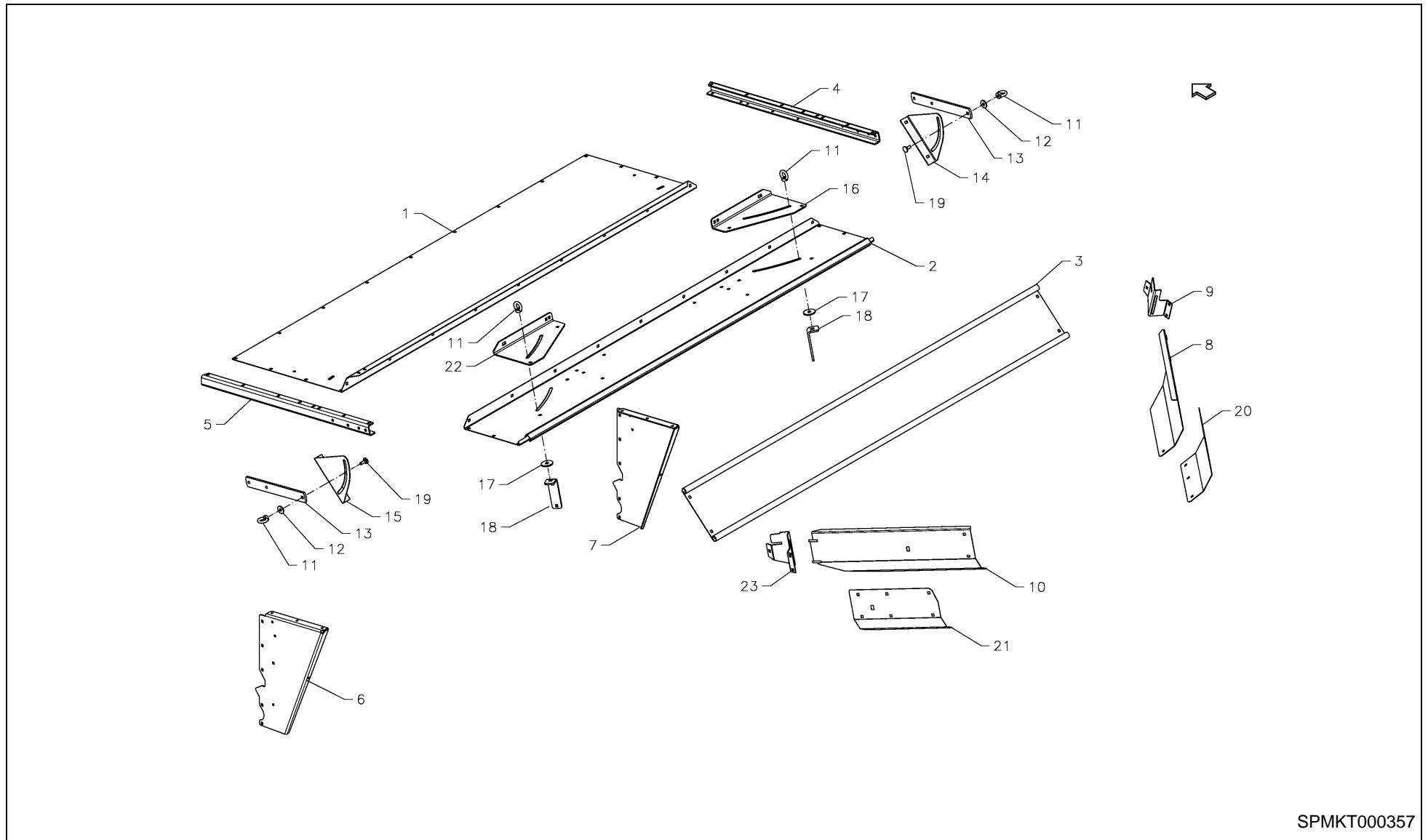
SPMKT000356

## 4232LT / Guard

**taarup**

PosNo.	Part No.	Qty.	Description	Remark
1	KT9059410094	1	BRACKET, LH	
2	KT9059710094	1	FRAME, LEFT	
3	KT9083400061	1	RAIL, LH	
4	KT90827000	1	TARPAULIN	
5	KT9083500061	1	RAIL, LH	
6	KT90828000	1	TARPAULIN	
7	KT9059210094	1	FRAME, LEFT	
8	KT90826000	1	TARPAULING	
9	KT9083300061	1	RAIL, RH	
10	KT90860000	1	TARPAULIN	
11	KT9063720094	1	ARM FOR GUARD	
12	KT9058620094	1	STEEL GUARD RH TAARUP	
13	KT9083200061	1	RAIL, RH	
14	KT9058720094	1	STEEL GUARD REAR RH	

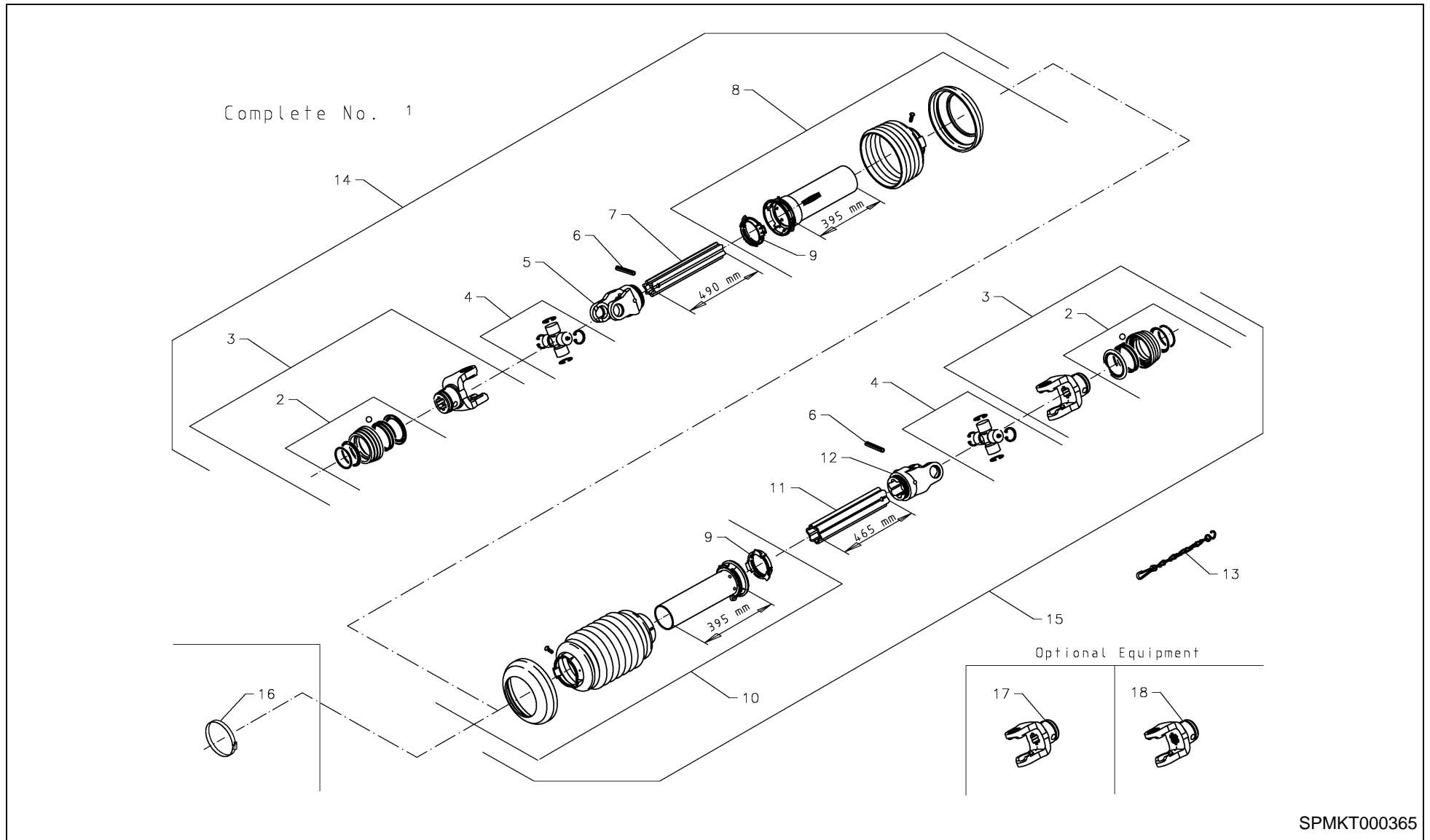
# 4232LT / Rear end & deflector plate



SPMKT000357

**4232LT / Rear end & deflector plate**

PosNo.	Part No.	Qty.	Description	Remark
1	KT9044500094	1	TOP PLATE 3M	
2	KT9044610094	1	UPPER PLATE 3,2 M	
3	KT69761100	1	PLATE 4032	
4	KT9034100094	1	PROFILE, RH	
5	KT9034000094	1	PROFILE, LH	
6	KT9033800094	1	SIDE PLATE, LH	
7	KT9033900094	1	SIDE PLATE, RH	
8	KT9033710094	1	DEFLECTOR PLATE, RH	
9	KT9118300061	1	BRACKET RH	
10	KT9033610094	1	DEFLECTOR PLATE, LH	
11	KG01094161	4	LIFTING EYE NUT M12 C15	
12	KT5627100061	1	WASHER	
12	KT56271000	2	WASHER	
13	KT6977200094	2	PROFIL	
14	KT6975420094	1	BRACKET RH	
15	KT6975520094	1	BRACKET LH	
16	KT9119500094	1	REINFORCEMENT PLATE RH	
17	KT3917400061	2	WASHER	
18	KT9044400094	2	BRACKET	
19	KG00644961		CARRIAGE BOLT M12X35 8.8	
20	KT9118600094	1	EXTENSION FOR DEFLECTOR PLATE LH	
21	KT9118700094	1	EXTENSION FOR DEFLECTOR PLATE RH	
22	KT9119300094	1	REINFORCEMENT PLATE LH	
23	KT9118400061	1	BRACKET LH	

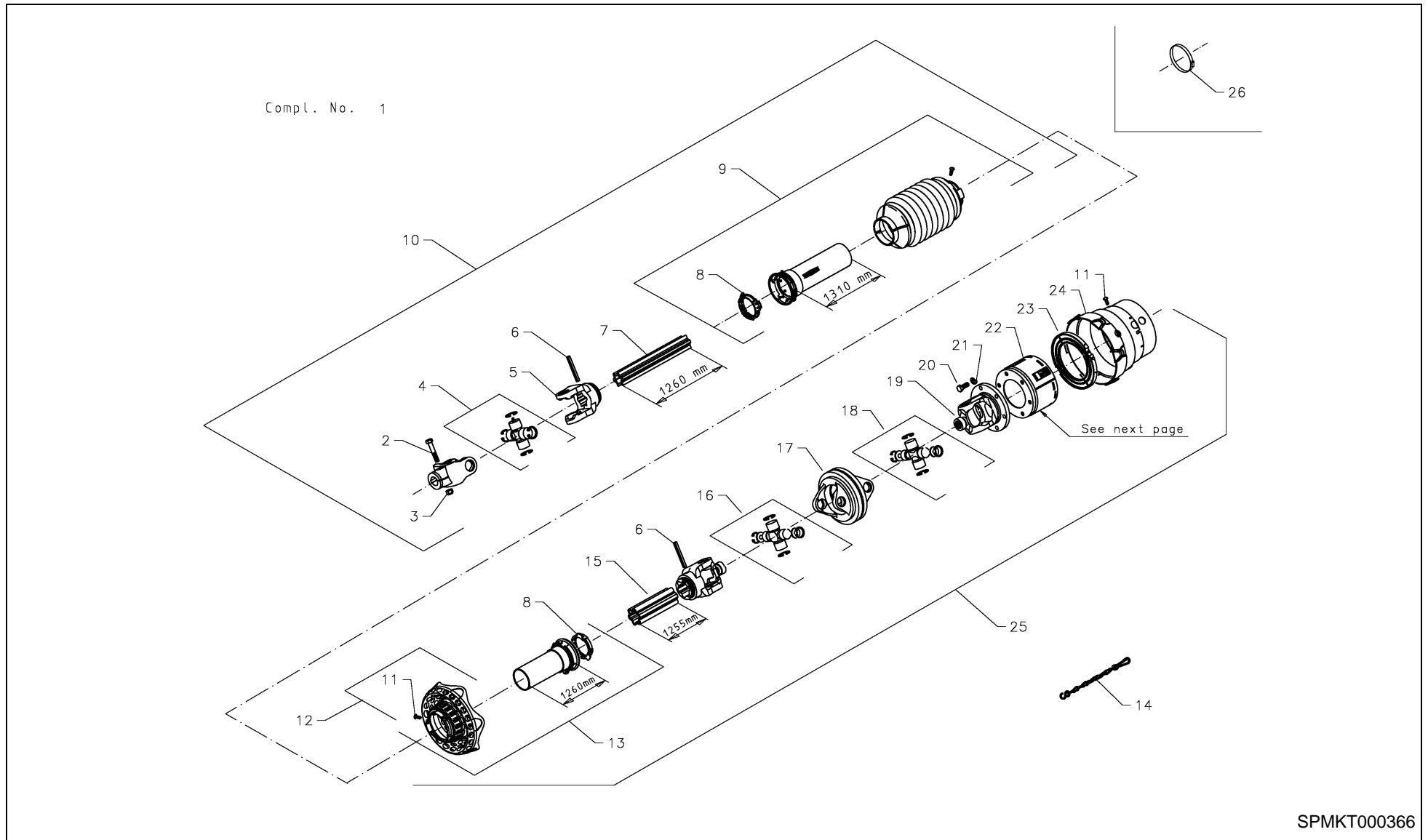


SPMKT000365

**4232LT / PTO shaft**

PosNo.	Part No.	Qty.	Description	Remark
1	KT99244475	1	PTO SHAFT, COMPLETE	
2		4	NO PART NUMBER AVAILABLE	Walterscheid No. 135048
3		4	NO PART NUMBER AVAILABLE	Walterscheid No. 133836
4	KT99244480	4	CROSS CPL.	
5		1	NO PART NUMBER AVAILABLE	Walterscheid No. 356905
6		4	NO PART NUMBER AVAILABLE	Walterscheid No. 020617
7		1	NO PART NUMBER AVAILABLE	Walterscheid No. 134940
8	KT99244472	1	OUTER PROTECTION TUBE, COMPLETE	
9		4	NO PART NUMBER AVAILABLE	Walterscheid No. 087276
10	KT99244473	1	INNER PROTECTION TUBE, COMPLETE	
11		1	NO PART NUMBER AVAILABLE	Walterscheid No. 017660
12		1	NO PART NUMBER AVAILABLE	Walterscheid No. 356906
13		1	NO PART NUMBER AVAILABLE	Walterscheid No. 044321
14	KT99244476	1	PTO SHAFT, INNER HALF, COMPLETE	
15	KT99244477	1	PTO SHAFT, OUTER HALF, COMPLETE	
16	KT99352040	1	HOSE BAND Ø87/Ø112 / 12	
17	KT99244503	1	PTO YOKE 8 SPLINE SW. HITCH	
18	KT99244504	1	PTO YOKE 22 SPLINE SW. HITCH	

# 4232LT / PTO shaft



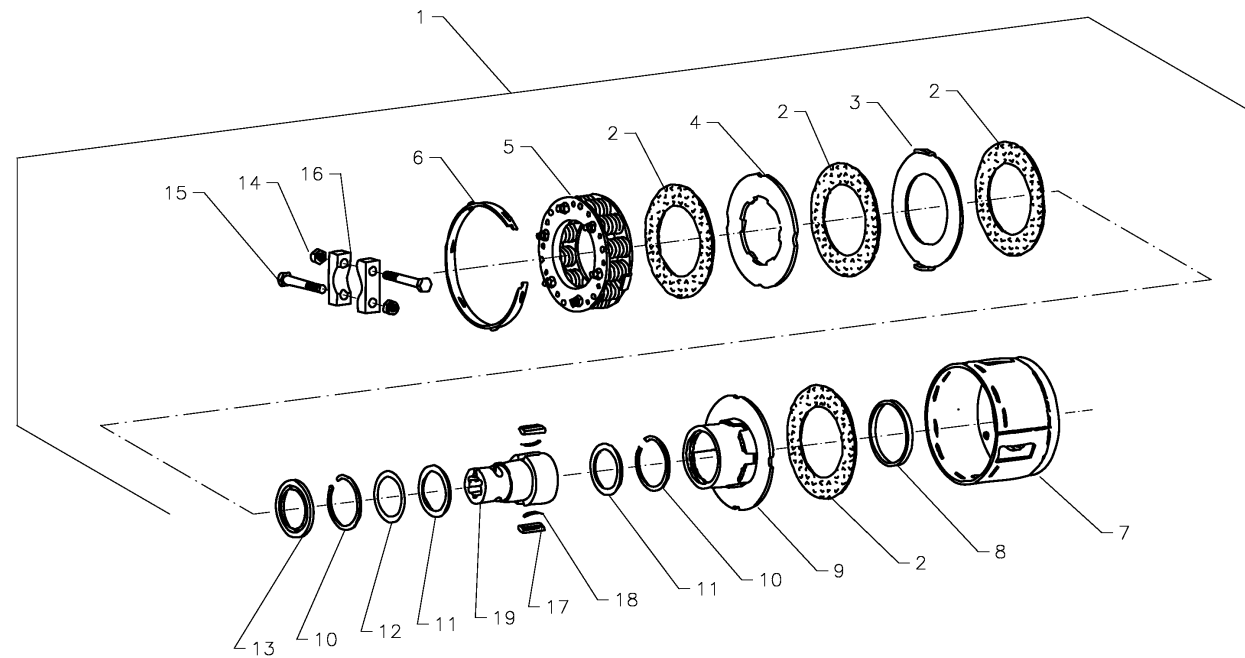
SPMKT000366



## 4232LT / PTO shaft



PosNo.	Part No.	Qty.	Description	Remark
1	KT99244495	1	PTO SHAFT, COMPLETE	
2		1	NO PART NUMBER AVAILABLE	Walterscheid No. 020471
3		1	NO PART NUMBER AVAILABLE	Walterscheid No. 010490
4	KT99244498	1	CROSS, COMPLETE	
5		1	NO PART NUMBER AVAILABLE	Walterscheid No. 356905
6		1	NO PART NUMBER AVAILABLE	Walterscheid No. 020617
7		1	NO PART NUMBER AVAILABLE	Walterscheid No. 134937
8		2	NO PART NUMBER AVAILABLE	Walterscheid No. 087276
9	KT99244474	1	INNER PROTECTION TUBE, COMPLETE	
10	KT99244496	1	PTO SHAFT, INNER HALF, COMPLETE	
11		3	NO PART NUMBER AVAILABLE	Walterscheid No. 365305
12		1	NO PART NUMBER AVAILABLE	Walterscheid No. 134847
13	KT99244478	1	OUTER PROTECTION TUBE, COMPLETE	
14		1	NO PART NUMBER AVAILABLE	Walterscheid No. 382078
15		1	NO PART NUMBER AVAILABLE	Walterscheid No. 134935
16	KT99244499	1	CROSS, COMPLETE	
17		1	NO PART NUMBER AVAILABLE	Walterscheid No. 128854
18	KT99244501	1	CROSS, COMPLETE	
19		1	NO PART NUMBER AVAILABLE	Walterscheid No. 137805
20		1	NO PART NUMBER AVAILABLE	Walterscheid No. 178119
21		1	NO PART NUMBER AVAILABLE	Walterscheid No. 178115
22	KT99244481	1	FRICTION CLUTCH, CPL.	
23		1	NO PART NUMBER AVAILABLE	Walterscheid No. 172715
24		1	NO PART NUMBER AVAILABLE	Walterscheid No. 129948
25	KT99244497	1	PTO SHAFT, OUTER HALF, COMPLETE	
26	KT99352040	1	HOSE BAND Ø87/Ø112 / 12	

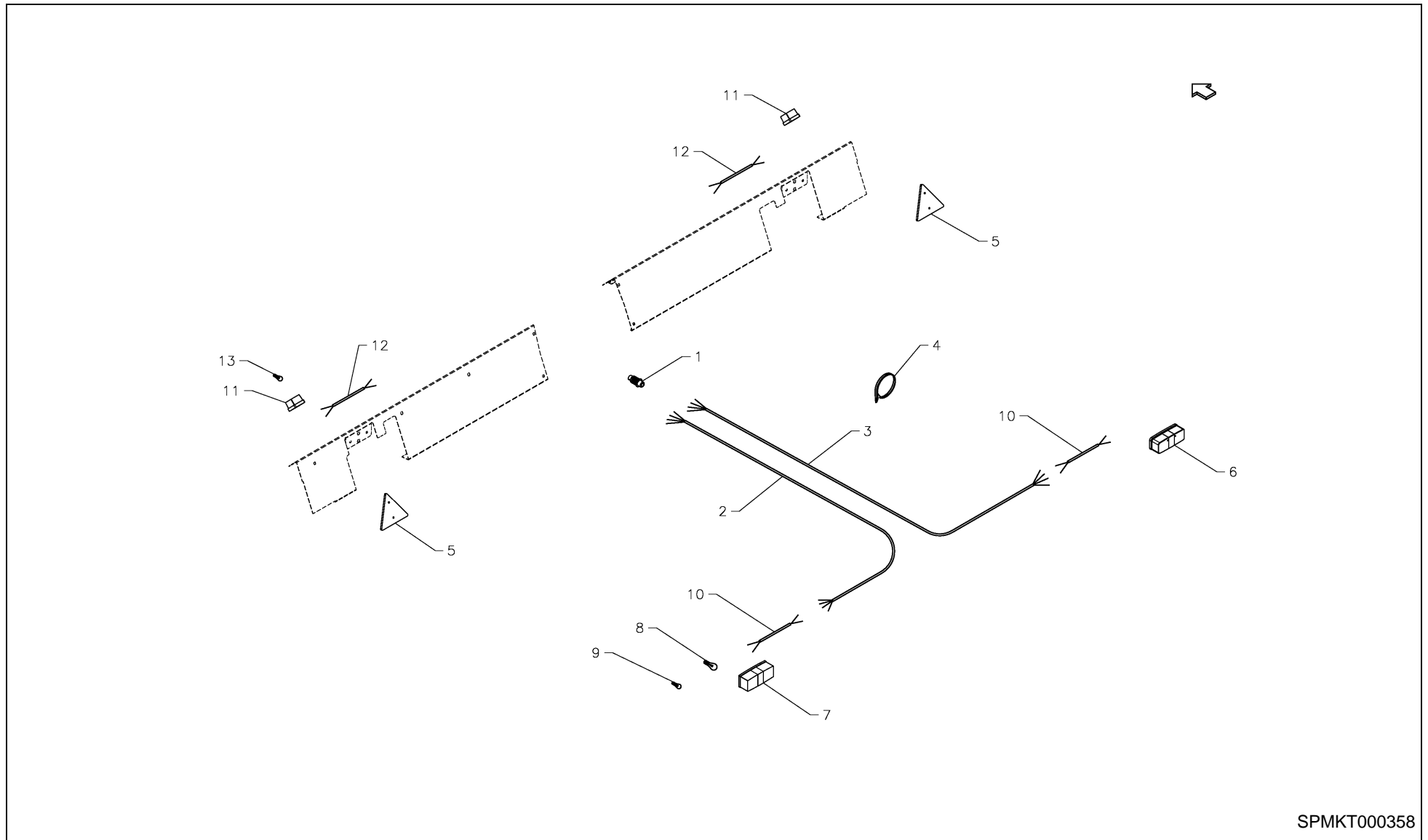


SPMKT000131

## 4232LT / Friction clutch



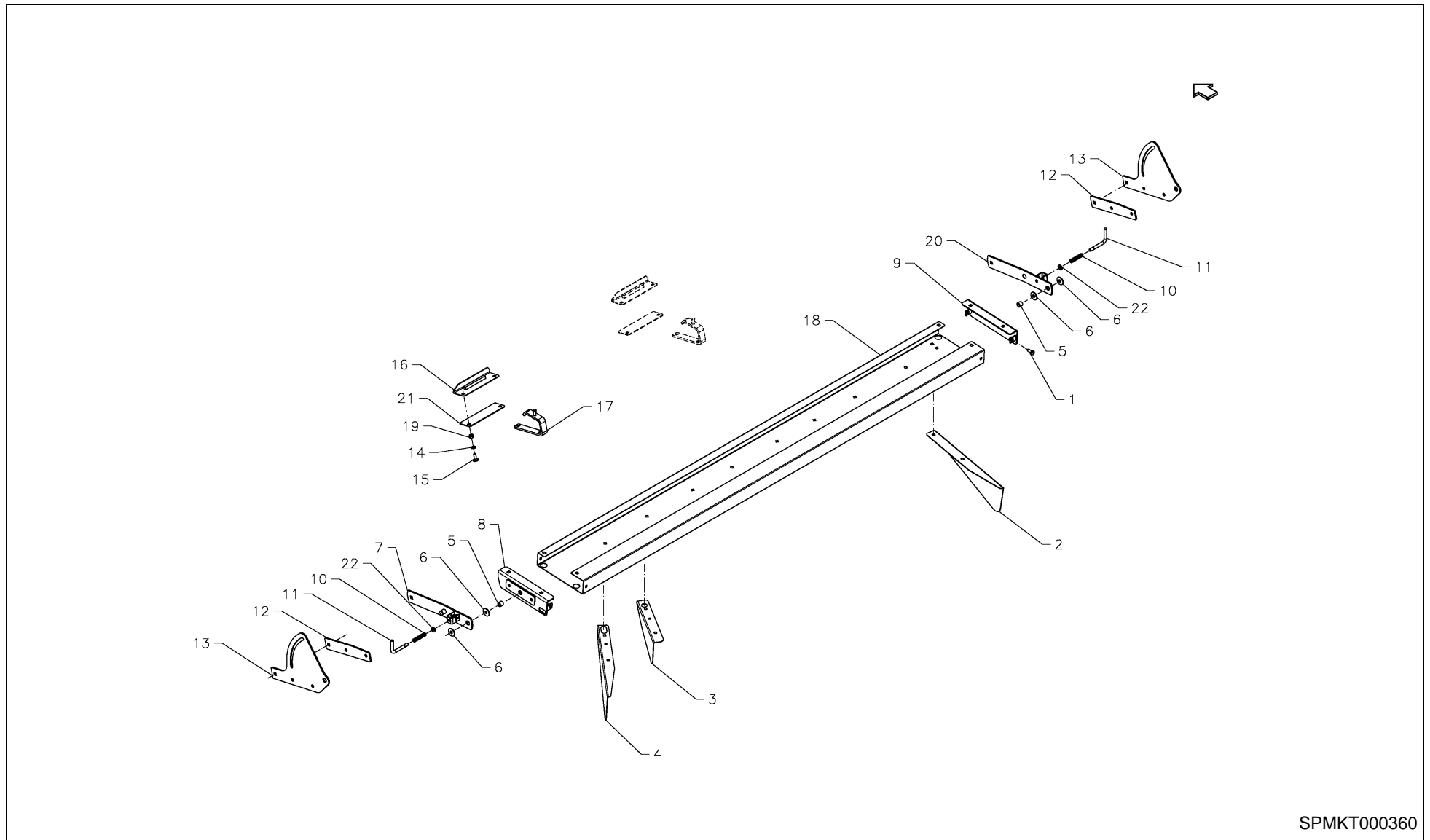
PosNo.	Part No.	Qty.	Description	Remark
1	KT99244481	1	FRICION CLUTCH, CPL.	
2	KT99244479	4	FRICION DISC	
3		1	NO PART NUMBER AVAILABLE	Walterscheid No. 367726
4		1	NO PART NUMBER AVAILABLE	Walterscheid No. 367725
5		1	NO PART NUMBER AVAILABLE	Walterscheid No. 377673
6		1	NO PART NUMBER AVAILABLE	Walterscheid No. 367720
7		1	NO PART NUMBER AVAILABLE	Walterscheid No. 367767
8		1	NO PART NUMBER AVAILABLE	Walterscheid No. 367718
9		1	NO PART NUMBER AVAILABLE	Walterscheid No. 169198
10		2	NO PART NUMBER AVAILABLE	Walterscheid No. 702100
11		2	NO PART NUMBER AVAILABLE	Walterscheid No. 304235
12		1	NO PART NUMBER AVAILABLE	Walterscheid No. 116141
13		1	NO PART NUMBER AVAILABLE	Walterscheid No. 170012
14		2	NO PART NUMBER AVAILABLE	Walterscheid No. 020471
15		2	NO PART NUMBER AVAILABLE	Walterscheid No. 332178
16		2	NO PART NUMBER AVAILABLE	Walterscheid No. 010490
17		2	NO PART NUMBER AVAILABLE	Walterscheid No. 331737
18		2	NO PART NUMBER AVAILABLE	Walterscheid No. 332185
19		1	NO PART NUMBER AVAILABLE	Walterscheid No. 185830



SPMKT000358

**4232LT / Lighting kit cpl.**

PosNo.	Part No.	Qty.	Description	Remark
1	KT99478196	1	7 PIN PLUG	
2	KT90580000	1	CABLE L= 7200 MM.	
3	KT90579000	1	CABLE L= 9600 MM	
4	KT99478389	8	BELT	
5	KT99458332	2	REFLEX	
6	KT99474335	1	REAR LIGHT	
7	KT99474336	1	REAR LIGHT	
8	KT99477138		BULB 12V 21W	
9	KT99477137		BULB 12V 10W	
10	KT90582000	2	CABLE L = 200 MM.	
11	KT99474330	2	POSITION LANTERN	
12	KT90583000	2	CABLE L= 200 MM.	
13	KT99477136		BULB 12V 5W	

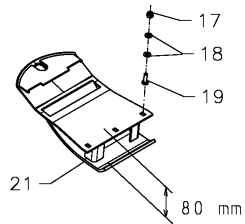


SPMKT000360

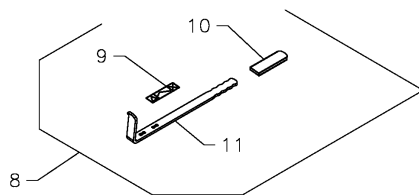
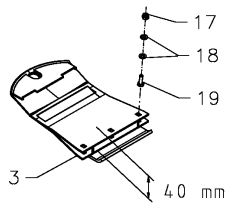
**4232LT / Optional equipment**

PosNo.	Part No.	Qty.	Description	Remark
1	KG00981961		FLANGED BOLT M10X25 TENSIOLOC	
2	KT6989900094	1	SPREADING VANE	
3	KT7047500094	7	SPREADING VANE	
4	KT7047400094	1	SPREADING VANE	
5	KT7049000061	2	BUSHING	
6	KT3817000061	4	WASHER	
7	KT7048400094	1	BRACKET	
8	KT7048210094	1	BRACKET	
9	KT7048310094	1	BRACKET	
10	KT1769300061	2	SPRING	
11	KT7048100061	2	HANDLE	
12	KT9063800061	2	PLATE	
13	KT7048820094	2	PLATE	
14	KG01267461		WASHER M10	
15	KG00641461		CARRIAGE BOLT M10X25 8.8	
16	KT9062800061	2	BRACKET	
17	KT9062710061	2	BRACKET FOR DEFLECTOR PLATE	
18	KT7050210094	1	PROFIL	
19	KG01064161		LOCK NUT M10 8	
20	KT7048500094	1	BRACKET	
21	KT9119400061	2	PLATE	
22	KG01267561		WASHER M12	

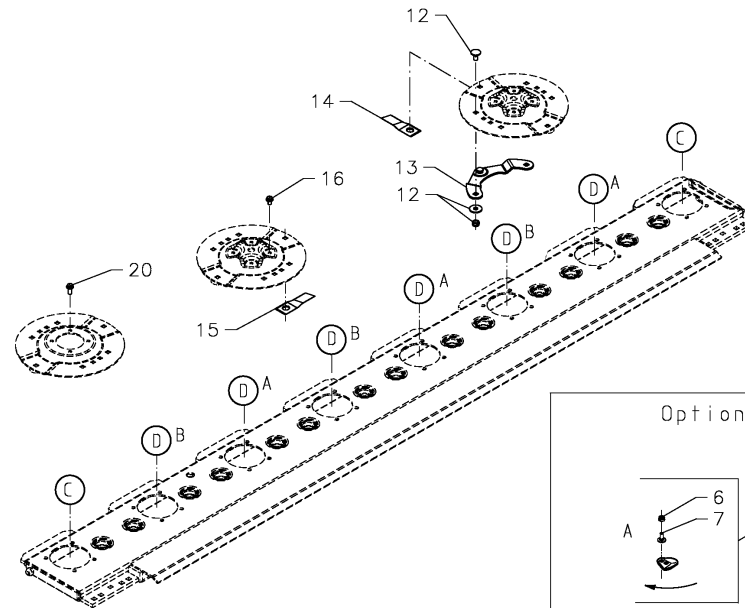
Optional Equipment



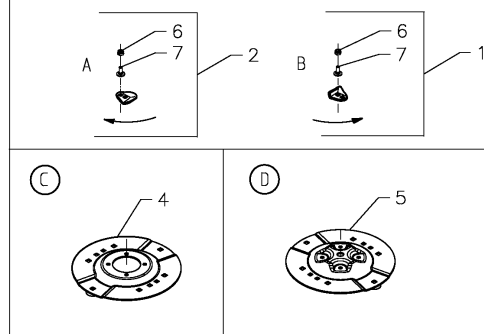
Optional Equipment



Optional Equipment



Optional Equipment



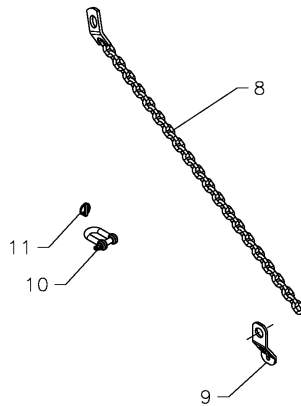
SPMKT000361



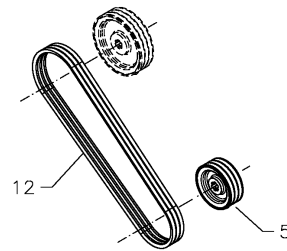
**4232LT / Optional equipment**

PosNo.	Part No.	Qty.	Description	Remark
1	KT55694100	3	THROWING WING, LEFT	
2	KT55693100	3	THROWING WING, RIGHT	
3	KT5524000086	1	HIGH STONE GUARD 40 MM	
4	KT5515100094	2	CUTTING DISC (PROFIT)	
5	KT5515000094	6	CUTTING DISC (PROFIT)	
6	KG01072361	24	LOCK NUT M10 8	
7	KT45432000	24	M10-20 CARRIAGE BOLT	
8	KT55777100	1	TOOL CPL.	
9	KT55769000	1	WARNING SIGN	
10	KT38218000	1	PLASTICHANDLE	
11	KT55772100	1	TOOL	
12	KT90288000	1	BOLT KIT COMPLETE	
13	KT5577110094	16	KNIFE RETAINER (PROFIT)	
14	KT56778000	1	KNIFE KIT, COMPLETE	
15	KT56396000	1	SPAREPARTS KIT - KNIFE (FLAIL)	
16	KT99308824	24	STEEL BOLT (VERBUS RIBB BOLT) M10X16	
17	KG01064161	2	LOCK NUT M10 8	
18	KG01267461	4	WASHER M10	
19	KG00474361	2	HEX. SCREW M10X30 8.8	
20	KT99308826	8	STEEL BOLT (VERBUS RIBB BOLT) M10X20	
21	KT5515300086	1	HIGH STONE GUARD 80 MM	

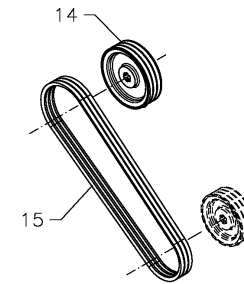
Optional Equipment



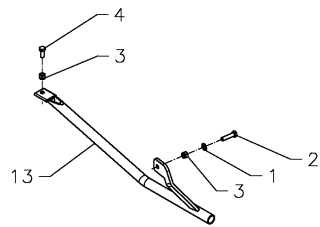
Optional Equipment (1015 rpm)



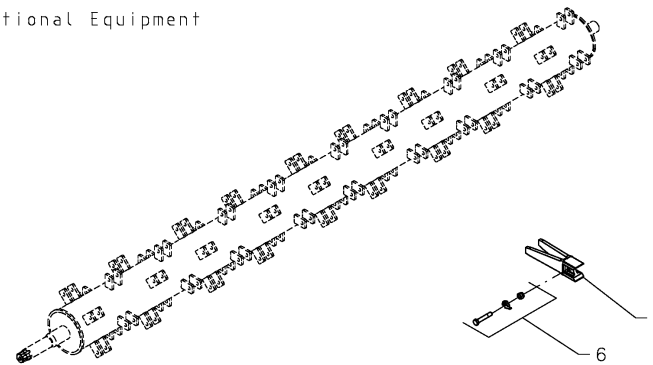
Optional Equipment (450 rpm)



Optional Equipment

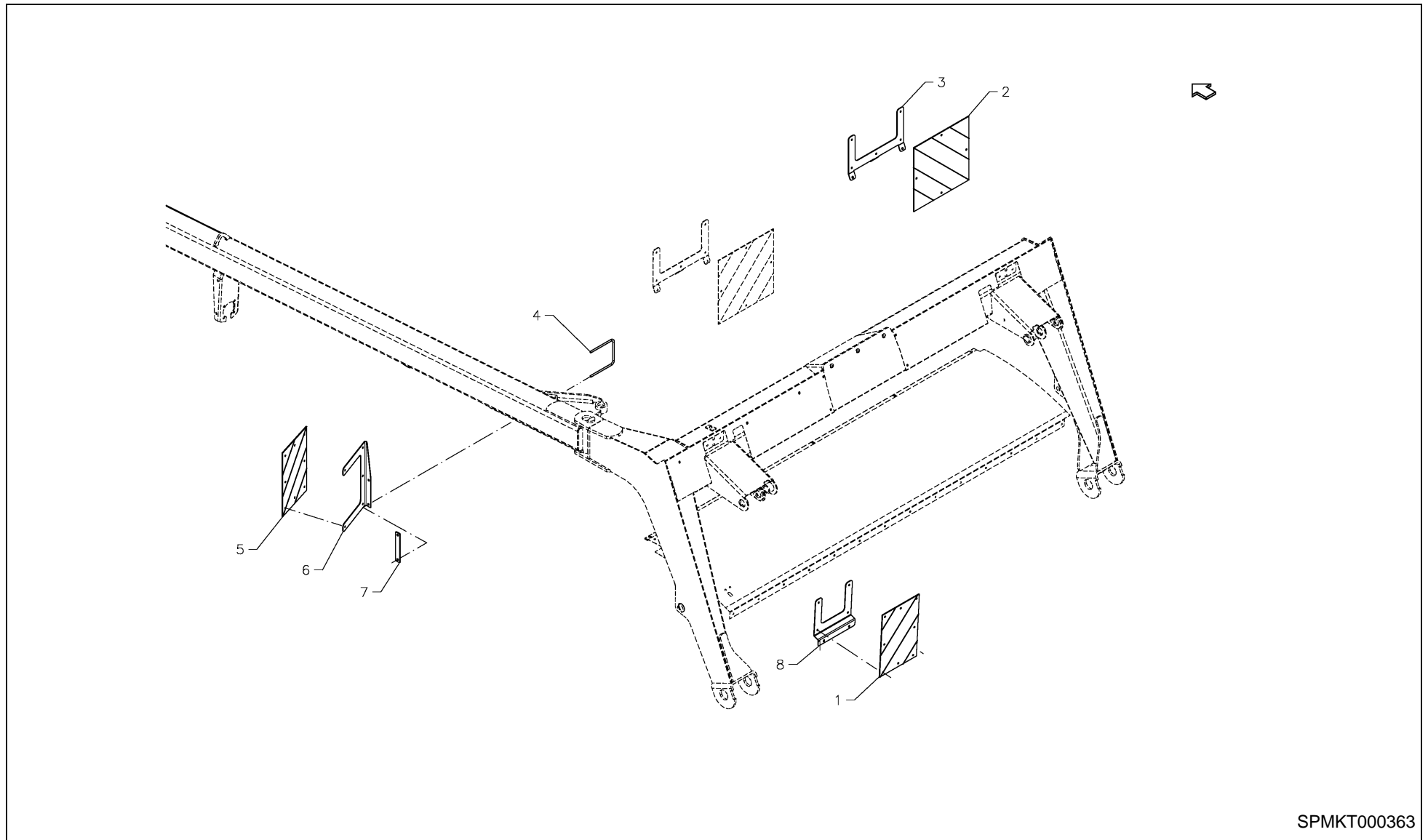


Optional Equipment



**4232LT / Optional equipment**

PosNo.	Part No.	Qty.	Description	Remark
1	KG01267561	1	WASHER M12	
2	KG00476961	1	HEX. SCREW M12X50 8.8	
3	KG01064261	2	LOCK NUT M12 8	
4	KG00476561	1	HEX. SCREW M12X30 8.8	
5	KT7028800001	1	V-BELT PULLEY 3 SPB Ø 161MM	
6	KT90278000	72	BOLT KIT	
7	KT90360000	72	PLASTIC FINGER	
8	KT6755820061	1	CHAIN	
9	KT9089800061	1	BRACKET	
10	KT99452075	1	SHACKLE 3/4	
11	KT42176000	1	LOCK SPLIT	
12	KT99202438	1	SET OF V-BELTS LW 1810 (SET = 3 PCS.)	
13	KT9117800086	1	STRAW DIVIDER	
14	KT7011200001	1	V-BELT PULLEY 3 SPB Ø 140 MM	
15	KT99202439	1	V-BELT SET L=1723 MM ( SET = 3 PCS)	



SPMKT000363

**4232LT / Optional equipment**

PosNo.	Part No.	Qty.	Description	Remark
1	KT99458382	2	RED/WHITE WARNI 423X282 VERT=LH/HORIZ=RH	
2	KT99458380	2	RED/WHITE L/R WARNING FOIL 423X423	
3	KT9116000061	2	CONSOLE	
4	KT9116200061	1	U-BOLT	
5	KT99458381	1	RED/WHITE WARNI 423X282 VERT=RH/HORIZ=LH	
6	KT9115700061	1	CONSOLE	
7	KT9116100061	1	FLAT STEEL	
8	KT9115500061	1	CONSOLE	

# 4232LT / Part No Index



Part No.	Page	Pos No	Part No.	Page	Pos No	Part No.	Page	Pos No	Part No.	Page	Pos No
	20	11	KG00476561	9	5	KG01267561	24	22	KT49143000	7	8
	20	12	KG00476561	26	4	KG01267561	26	1	KT5512200001	13	21
	20	13	KG00476961	26	2	KG01267761	1	11	KT5512300001	13	6
	20	2	KG00641461	24	15	KG01267761	1	19	KT5512400001	13	15
	20	3	KG00644961	19	19	KG01309000	4	28	KT5512500086	14	17
	20	5	KG00981961	24	1	KG01378900	8	13	KT5512500086	15	18
	20	6	KG01052661	3	7	KG01840800	13	18	KT5512600001	13	5
	20	7	KG01064161	8	16	KG01840900	13	35	KT5512810094	14	6
	20	9	KG01064161	24	19	KT10101000	5	48	KT5512810094	15	9
	21	11	KG01064161	25	17	KT10105000	13	36	KT5512900086	13	32
	21	12	KG01064261	8	7	KT1769300061	10	11	KT5513300094	14	1
	21	14	KG01064261	26	3	KT1769300061	17	5	KT5513400094	14	2
	21	15	KG01064461	1	10	KT1769300061	24	10	KT5513900086	14	18
	21	17	KG01064461	1	18	KT26422000	1	9	KT5513900086	15	16
	21	19	KG01064661	8	23	KT2844700061	4	15	KT5515000094	15	2
	21	2	KG01072361	25	6	KT3130700061	2	19	KT5515000094	25	5
	21	20	KG01072461	14	13	KT3130700061	3	13	KT5515100094	15	1
	21	21	KG01072461	15	28	KT3626300061	4	14	KT5515100094	25	4
	21	23	KG01094161	19	11	KT3817000061	24	6	KT5515300086	25	21
	21	24	KG01108300	8	12	KT38218000	10	12	KT5515400001	13	24
	21	3	KG01108800	8	30	KT38218000	15	25	KT5516200094	14	5
	21	5	KG01109300	7	14	KT38218000	25	10	KT5516200094	15	7
	21	6	KG01110400	4	4	KT3877520094	4	19	KT5520200086	13	1
	21	7	KG01128700	2	5	KT3877610061	4	18	KT5524000086	25	3
	21	8	KG01130900	13	17	KT3877810094	4	12	KT55243000	16	1
KD0300863	6	28	KG01251561	10	8	KT3917400061	19	17	KT55244000	16	3
KG00355761	8	15	KG01267461	14	14	KT42176000	26	11	KT55245000	16	2
KG00362561	1	17	KG01267461	15	20	KT45429000	14	26	KT55246000	14	11
KG00363161	1	1	KG01267461	24	14	KT45429000	15	6	KT55246000	15	15
KG00473961	13	25	KG01267461	25	18	KT45431000	14	24	KT5524700086	14	23
KG00474361	25	19	KG01267561	8	27	KT45431000	15	27	KT5524700086	15	8
KG00476261	13	14	KG01267561	10	6	KT45432000	25	7	KT5564110001	13	11
KG00476561	8	28	KG01267561	17	12	KT4837700061	8	9	KT5564400001	13	7

# 4232LT / Part No Index



Part No.	Page	Pos No	Part No.	Page	Pos No	Part No.	Page	Pos No	Part No.	Page	Pos No
KT5564610001	13	20	KT56781000	15	12	KT7048310094	24	9	KT9034910086	8	11
KT5564900061	13	2	KT56782000	14	9	KT7048400094	24	7	KT9035200061	8	17
KT5565000001	13	4	KT56782000	15	13	KT7048500094	24	20	KT9035300061	8	18
KT55651000	13	3	KT56785000	14	10	KT7048820094	24	13	KT90360000	26	7
KT5567000001	9	4	KT5874000061	8	26	KT7049000061	24	5	KT9036100061	2	4
KT5567000001	13	13	KT5882400061	8	22	KT7050210094	24	18	KT9036200061	2	14
KT55693100	25	2	KT6056800061	4	11	KT79459000	7	15	KT9036300061	3	9
KT55694100	25	1	KT6244500061	3	11	KT90186000	1	13	KT9038210094	8	4
KT55695100	14	22	KT6245600001	8	14	KT90276000	11	2	KT9040100094	1	16
KT55705300	16	5	KT6755820061	26	8	KT90278000	11	3	KT9040200061	1	5
KT55706100	16	4	KT67602000	6	19	KT90278000	26	6	KT9040300094	7	1
KT55710300	16	6	KT6823110061	4	2	KT90288000	15	10	KT9044400094	19	18
KT5572910061	13	26	KT6827100061	10	10	KT90288000	25	12	KT9044500094	19	1
KT5574900001	13	23	KT6828300001	9	3	KT9030020086	11	1	KT9044610094	19	2
KT5576600001	13	33	KT6828400001	9	2	KT9030500086	14	4	KT9046110086	10	3
KT5576700001	13	34	KT68312000	3	10	KT9030500086	15	4	KT9046210086	10	2
KT55769000	15	24	KT6865820094	14	15	KT9030600086	14	3	KT9046300061	10	7
KT55769000	25	9	KT6865820094	15	17	KT9030600086	15	3	KT9046400061	10	4
KT5577110094	15	11	KT6953600061	8	29	KT9032500094	4	13	KT9046510061	2	1
KT5577110094	25	13	KT69540000	8	21	KT9033100094	4	1	KT9046610061	3	15
KT55772100	25	11	KT69708000	14	16	KT9033200001	4	8	KT9046700061	3	14
KT5577210061	15	23	KT69708000	15	22	KT9033300094	4	9	KT9046900061	8	24
KT55777100	25	8	KT6975420094	19	14	KT9033400094	4	10	KT9047100094	8	3
KT56149000	14	25	KT6975520094	19	15	KT9033610094	19	10	KT9047200061	2	12
KT56149000	15	30	KT69761100	19	3	KT9033710094	19	8	KT9047300061	2	8
KT56227000	7	13	KT6977200094	19	13	KT9033800094	19	6	KT9047900094	2	3
KT56271000	19	12	KT6989900094	24	2	KT9033900094	19	7	KT9048000094	2	17
KT5627100061	14	20	KT7011200001	26	14	KT9034000094	19	5	KT9048200061	2	9
KT5627100061	15	19	KT7028800001	26	5	KT9034100094	19	4	KT9048300094	2	11
KT5627100061	19	12	KT7047400094	24	4	KT9034400094	8	5	KT9048700094	8	2
KT56396000	25	15	KT7047500094	24	3	KT9034510061	8	1	KT9049910094	3	4
KT56778000	25	14	KT7048100061	24	11	KT9034700086	10	5	KT9050010094	3	3
KT56781000	14	8	KT7048210094	24	8	KT9034800061	10	9	KT9051210061	7	12

# 4232LT / Part No Index



Part No.	Page	Pos No	Part No.	Page	Pos No	Part No.	Page	Pos No	Part No.	Page	Pos No
KT9051410061	3	8	KT9065800061	6	12	KT9093800086	1	21	KT99244472	20	8
KT9052700094	1	2	KT90667000	6	1	KT9093900086	1	22	KT99244473	20	10
KT9052900094	1	4	KT90677000	7	10	KT9094100061	2	18	KT99244474	21	9
KT90534000	1	3	KT90678000	7	4	KT9115500061	27	8	KT99244475	20	1
KT9053510061	8	31	KT90686000	6	6	KT9115700061	27	6	KT99244476	20	14
KT9053600061	8	10	KT90688100	6	22	KT9116000061	27	3	KT99244477	20	15
KT9057600061	4	7	KT9072300064	3	2	KT9116100061	27	7	KT99244478	21	13
KT9057700061	2	10	KT9073000064	3	1	KT9116200061	27	4	KT99244479	22	2
KT9057800061	2	15	KT9074600094	4	24	KT9117600061	4	33	KT99244480	20	4
KT9057800061	2	20	KT9074700094	4	25	KT9117700061	4	32	KT99244481	21	22
KT90579000	23	3	KT9074810094	4	20	KT9117800086	26	13	KT99244481	22	1
KT90580000	23	2	KT9074900061	4	27	KT9118000086	10	1	KT99244485	4	21
KT90582000	23	10	KT9075000061	4	23	KT9118300061	19	9	KT99244495	21	1
KT90583000	23	12	KT9075100061	4	16	KT9118400061	19	23	KT99244496	21	10
KT9058410061	17	6	KT9078900061	8	20	KT9118600094	19	20	KT99244497	21	25
KT9058510061	17	7	KT9079000061	8	25	KT9118700094	19	21	KT99244498	4	22
KT9058620094	18	12	KT9081010094	8	6	KT9119300094	19	22	KT99244498	21	4
KT9058720094	18	14	KT90826000	18	8	KT9119400061	24	21	KT99244499	21	16
KT9059210094	18	7	KT90827000	18	4	KT9119500094	19	16	KT99244501	21	18
KT9059300061	17	4	KT90828000	18	6	KT91258000	15	26	KT99244503	20	17
KT9059410094	18	1	KT90830000	17	3	KT9127600061	8	32	KT99244504	20	18
KT9059510094	17	2	KT9083200061	18	13	KT99125012	4	6	KT99244506	12	47
KT9059710094	18	2	KT9083300061	18	9	KT99158065	3	12	KT99244511	14	12
KT9060610094	17	1	KT9083400061	18	3	KT99158066	4	17	KT99244511	15	29
KT9062710061	24	17	KT9083500061	18	5	KT99158084	14	21	KT99255001	5	49
KT9062800061	24	16	KT9085300097	8	19	KT99158084	15	5	KT99255003	12	46
KT9062900061	12	48	KT90860000	18	10	KT99158088	2	2	KT99255100	5	1
KT9063000061	8	8	KT9087800061	2	7	KT99158090	4	3	KT99255101	5	2
KT9063720094	18	11	KT9088000061	17	13	KT99160045	2	6	KT99255102	5	3
KT9063800061	24	12	KT9088100061	4	29	KT99160047	2	13	KT99255103	5	4
KT90654000	6	9	KT9089800061	26	9	KT99202435	9	1	KT99255104	5	5
KT90655000	6	17	KT9089900061	4	30	KT99202438	26	12	KT99255105	5	6
KT90656000	6	8	KT9093700086	1	20	KT99202439	26	15	KT99255106	5	7



# 4232LT / Part No Index



Part No.	Page	Pos No	Part No.	Page	Pos No	Part No.	Page	Pos No	Part No.	Page	Pos No
KT99255107	5	11	KT99255133	5	808	KT99255160	12	30	KT99354122	13	27
KT99255107	12	21	KT99255134	5	809	KT99255161	12	37	KT99402007	6	16
KT99255108	5	12	KT99255135	5	810	KT99255162	12	38	KT99402113	6	3
KT99255108	12	22	KT99255136	5	822	KT99255163	12	75	KT99402114	6	27
KT99255109	5	13	KT99255137	5	823	KT99255164	12	76	KT99402352	7	9
KT99255110	5	14	KT99255137	12	810	KT99255165	12	800	KT99402904	6	18
KT99255111	5	15	KT99255138	5	824	KT99255166	12	802	KT99402914	6	14
KT99255112	5	16	KT99255138	12	812	KT99255167	12	803	KT99402921	6	11
KT99255113	5	17	KT99255139	5	825	KT99255168	12	820	KT99402922	6	25
KT99255114	5	18	KT99255139	12	813	KT99255169	12	822	KT99402941	6	20
KT99255115	5	19	KT99255140	5	826	KT99255170	12	823	KT99403015	6	7
KT99255115	12	36	KT99255140	12	814	KT99255171	12	824	KT99403211	6	10
KT99255116	5	20	KT99255141	5	827	KT99255172	12	834	KT99403220	7	3
KT99255116	12	35	KT99255142	5	828	KT99255173	12	840	KT99403221	7	5
KT99255117	5	21	KT99255142	12	833	KT99255174	12	841	KT99404018	6	21
KT99255118	5	29	KT99255143	5	829	KT99255175	12	842	KT99404242	6	2
KT99255119	5	30	KT99255143	12	832	KT99255229	5	47	KT99407008	7	11
KT99255120	5	32	KT99255144	5	830	KT99302819	13	31	KT99407410	6	26
KT99255120	12	40	KT99255144	12	830	KT99307775	6	4	KT99407540	6	15
KT99255121	5	33	KT99255145	5	831	KT99308824	14	19	KT99408914	6	5
KT99255122	5	34	KT99255147	12	1	KT99308824	15	14	KT99408934	6	23
KT99255122	12	41	KT99255148	12	5	KT99308824	25	16	KT99408943	6	24
KT99255123	5	35	KT99255149	12	6	KT99308826	14	7	KT99413144	7	2
KT99255123	12	31	KT99255150	12	7	KT99308826	15	21	KT99413147	3	5
KT99255124	5	36	KT99255151	12	8	KT99308826	25	20	KT99413148	3	6
KT99255125	5	38	KT99255152	12	9	KT99331901	2	21	KT99420109	13	19
KT99255126	5	39	KT99255153	12	10	KT99331901	4	26	KT99420125	13	12
KT99255127	5	42	KT99255154	12	11	KT99331901	17	9	KT99420238	13	8
KT99255128	5	44	KT99255155	12	20	KT99333833	4	31	KT99420286	13	22
KT99255129	5	46	KT99255156	12	23	KT99350537	4	5	KT99421068	13	16
KT99255129	12	45	KT99255157	12	26	KT99352040	20	16	KT99428514	7	7
KT99255131	5	806	KT99255158	12	27	KT99352040	21	26	KT99428522	6	13
KT99255132	5	807	KT99255159	12	28	KT99352042	7	6	KT99432066	1	8

**4232LT / Part No Index**

<b>Part No.</b>	<b>Page</b>	<b>Pos No</b>			
KT99432375	1	7			
KT99434056	1	6			
KT99434601	1	12			
KT99434602	1	14			
KT99434603	1	15			
KT99452075	26	10			
KT99452096	17	11			
KT99457134	13	9			
KT99457135	13	10			
KT99458109	13	30			
KT99458238	17	8			
KT99458332	23	5			
KT99458380	27	2			
KT99458381	27	5			
KT99458382	27	1			
KT99462633	13	28			
KT99462718	13	29			
KT99474330	23	11			
KT99474335	23	6			
KT99474336	23	7			
KT99477136	23	13			
KT99477137	23	9			
KT99477138	23	8			
KT99478196	23	1			
KT99478389	23	4			
VF06564448	17	10			

**taarup**

## **4232LT**

402.185 < Mach. ID <=

Kverneland Group Kerteminde AS  
Taarupstrandvej 25  
DK-5300 Kerteminde  
Denmark  
+45 65 19 19 00  
+45 65 19 19 99

© Kverneland Group

All rights reserved. No parts of this book may be reproduced, stored in a database or retrieval system, or published in any form or in any way, electronically, mechanically, optically, by print, photo print, microfilm (including micro and macro fiche), or any other means, including all video and CD systems, without prior written permission from the publisher.

Print date: 2007-11-27

